



The APM Series Flat Face Couplings are state-of-the-art solutions for high residual pressure. They address residual pressure in a circuit anywhere thermal expansion of trapped fluid causes pressure to develop, and connect by hand with residual pressure, without releasing any fluid into the environment. The APM is only intended to relieve pressure within itself.

Protective Caps & Plugs – page 26
Repair Kits – page 27



FEATURES

Size range: 3/8" thru 1 1/2"
Port options: NPT, SAE, BSP
Interchanges with ISO 16028
Connect / disconnect up to 30 MPa/4350 psi residual pressure

- Only relieves pressure within itself
- Connect under high pressure, by hand
- Flat face design eliminates leakage and contamination in the circuit
- Male body black zinc plated for identification

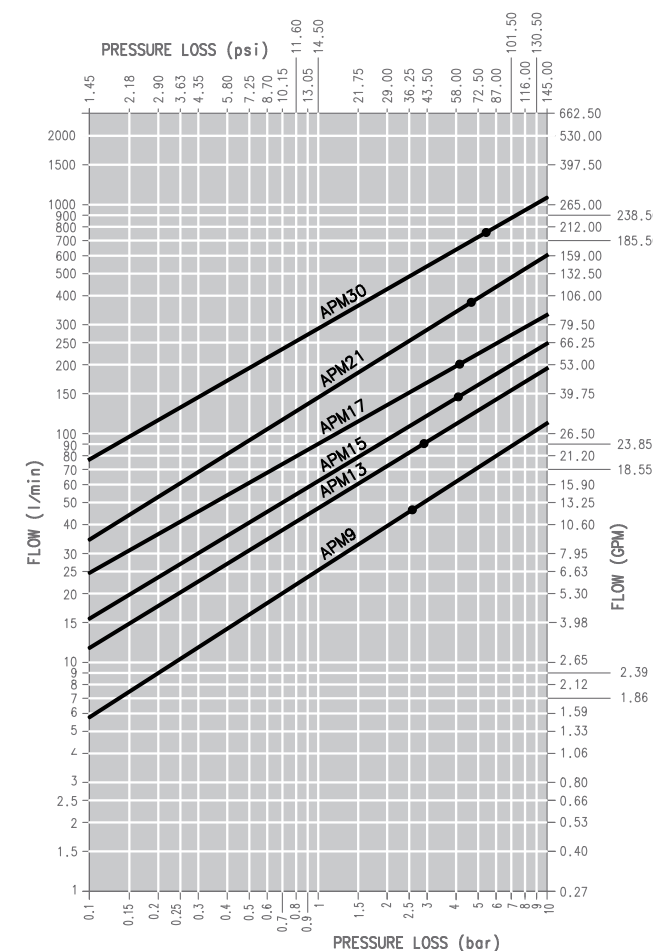
APPLICATIONS

Mobile equipment and attachment tools where sun exposure/temperature change causes pressure due to thermal expansion of trapped fluid

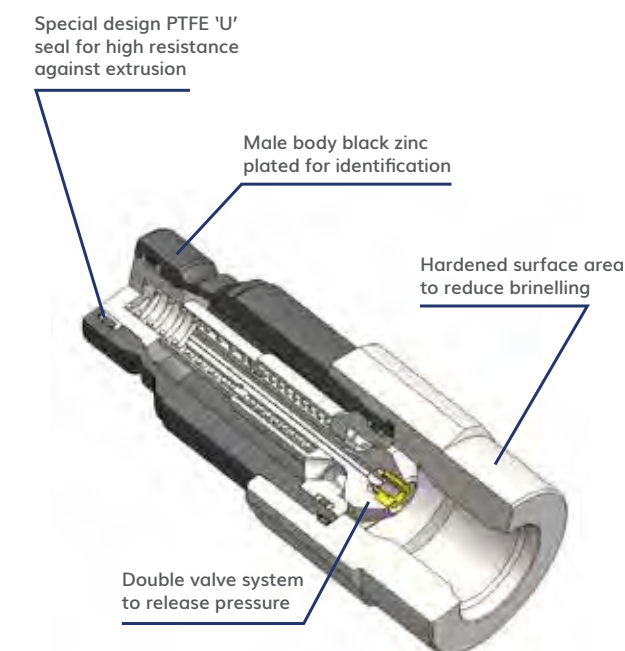
Any application where static pressure can get locked into the system



PRESSURE DROP



OIL = ISO VG32, TEMP = 40C, VISCOSITY = 28.8-35.2 MM²/S



PERFORMANCE

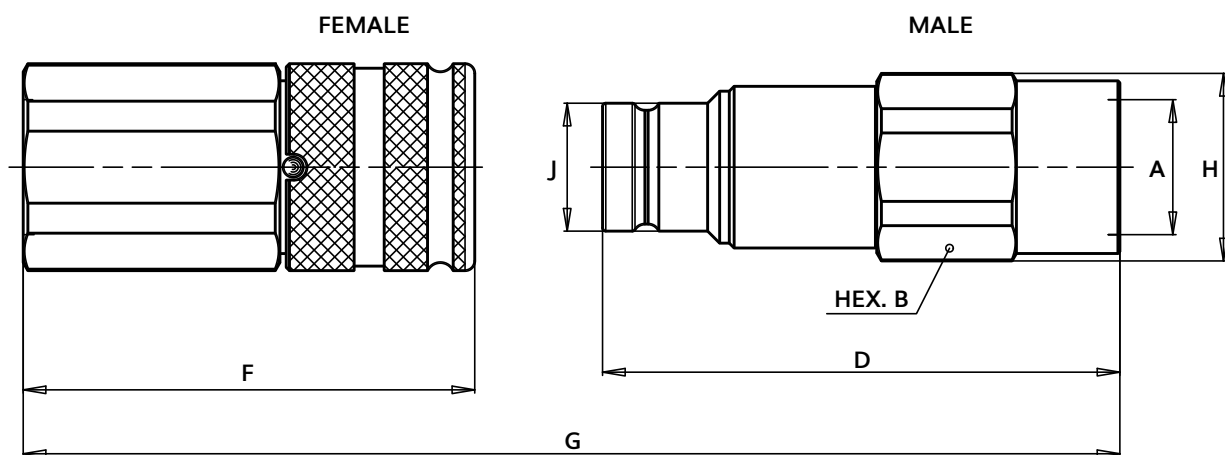
DESCRIPTION	MAX. OPERATING PRESSURE				BURST PRESSURE				MAX. RESIDUAL PRESSURE DURING CONNECTION		SPILLAGE ml
	COUPLED		MALE		COUPLED		MALE		MPa	psi	
	MPa	psi	MPa	psi	MPa	psi	MPa	psi	MPa	psi	
APM9	35	5075	35	5075	100	14500	120	17400	30	4350	30
APM13	33	4785	33	4785	100	14500	120	17400	30	4350	30
APM15	33	4785	33	4785	120	14500	120	17400	30	4350	30
APM17	33	4785	33	4785	100	14500	120	17400	25	3625	25
APM21	30	4350	30	4350	80	11600	100	14500	25	3625	25
APM30	27	3915	27	3915	80	11600	100	14500	20	2900	20

* Spillage is an indicative value of the fluid loss per couple-uncouple cycle

* Tested with female couplings "A" series.



SIZE DIAGRAM



DESCRIPTION	BODY SIZE	A	UNIT	B	D	G	H	J	WEIGHT	
									UNIT	MALE
APM9 3/8	3/8	3/8	mm	27.0	80.0	(F+D)-16	29.0	19.7	kg	0.197
			inch	1.06	3.15	(F+D)-0,630	1.14	0.78	lb	0.430
APM9 1/2	3/8	1/2	mm	27.0	82.5	(F+D)-16	29.0	19.7	kg	0.195
			inch	1.06	3.25	(F+D)-0,630	1.14	0.78	lb	0.430
APM13 1/2	1/2	1/2	mm	36.0	91.0	(F+D)-17,3	38.5	24.5	kg	0.408
			inch	1.42	3.58	(F+D)-0,681	1.52	0.96	lb	0.900
APM13 3/4	1/2	3/4	mm	36.0	93.5	(F+D)-17,3	38.5	24.5	kg	0.404
			inch	1.42	3.68	(F+D)-0,681	1.52	0.96	lb	0.890
APM15 3/4	5/8	3/4	mm	36.0	95.0	(F+D)-17,6	38.5	27.0	kg	0.426
			inch	1.42	3.74	(F+D)-0,693	1.52	1.06	lb	0.940
APM17 1	3/4	1	mm	46.0	108.5	(F+D)-22	49.8	30.0	kg	0.750
			inch	1.81	4.27	(F+D)-0,866	1.96	1.18	lb	1.650
APM21 1-1/4	1	1 1/4	mm	55.0	123.5	(F+D)-23	59.8	36.0	kg	1.160
			inch	2.17	4.86	(F+D)-0,906	2.35	1.42	lb	2.560
APM30 1-1/2	1 1/2	1 1/2	mm	70.0	146.9	(F+D)-28,6	75.8	57.0	kg	2.580
			inch	2.76	5.78	(F+D)-1,126	2.98	2.24	lb	5.690

APM Series Accessories Nipple Dust Cap

BODY SIZE	PORT SIZE	ORDER CODE	DESCRIPTION
3/8	3/8	815100003	CAP M. APM9/A9
3/8	3/8, 1/2	815100005	CAP M. APM9/A9
1/2	1/2	815100007	CAP M. APM13/A13
1/2	1/2, 5/8, 3/4	815100009	CAP M. APM13/A13
5/8	3/4	815100011	CAP M. APM15/A15
3/4	3/4, 1	815100013	CAP M. APM17/A17
1	1, 1 1/4	815100015	CAP M. APM21/A21
1 1/2	1 1/2	815100017	CAP M. APM30/A30



Additional colors available upon request

APM NPT, SAE, Bulkhead, and BSP Thread Nipple Connect Under Pressure | ISO 16028

PART	BODY SIZE	PORT SIZE	THREAD TYPE	ORDER CODE	PART DESCRIPTION
APM NPT THREAD					
NIPPLE	3/8	3/8	NPT	805201001	M. APM 9 3/8 NPT
NIPPLE	3/8	1/2	NPT	805201003	M. APM 9 1/2 NPT
NIPPLE	1/2	1/2	NPT	805201005	M. APM 13 1/2 NPT
NIPPLE	1/2	3/4	NPT	805201007	M. APM 13 3/4 NPT
NIPPLE	5/8	3/4	NPT	805201009	M. APM 15 3/4 NPT
NIPPLE	3/4	3/4	NPT	805201019	M. APM 17 3/4 NPT
NIPPLE	3/4	1	NPT	805201011	M. APM 17 1 NPT
NIPPLE	1	1 1/4	NPT	805201017	M. APM 21 1 1/4 NPT
NIPPLE	1 1/2	1 1/2	NPT	805201015	M. APM 30 1 1/2 NPT
APM SAE THREAD					
NIPPLE	3/8	1/2	SAE	805204001	M. APM 9 1/2 SAE
NIPPLE	1/2	5/8	SAE	805204003	M. APM 13 5/8 SAE
NIPPLE	1/2	1/2	SAE	805204025	M. APM 13 1/2 SAE
NIPPLE	1/2	3/4	SAE	805204005	M. APM 13 3/4 SAE
NIPPLE	5/8	3/4	SAE	805204007	M. APM 15 3/4 SAE
NIPPLE	3/4	3/4	SAE	805204027	M. APM 17 3/4 SAE
NIPPLE	3/4	1	SAE	805204009	M. APM 17 1 SAE
NIPPLE	1	1 1/4	SAE	805204017	M. APM 21 1 1/4 SAE
NIPPLE	1 1/2	1 1/2	SAE	805204015	M. APM 30 1 1/2 SAE
APM BULKHEAD THREAD					
NIPPLE	1/2	5/8	ORFS BH	805213001	M. APM 13 5/8 ORFS BH 33
NIPPLE	1/2	5/8	ORFS BH	805213003	M. APM 13 5/8 ORFS BH
NIPPLE	1/2	3/4	ORFS BH	805213005	M. APM 13 3/4 ORFS BH 39.5
NIPPLE	1/2	5/8	JIC BH	805206001	M. APM 13 5/8 JIC BH
NIPPLE	1/2	1/2	JIC BH	805206003	M. APM 13 1/2 JIC BH
APM BSP THREAD					
NIPPLE	3/8	3/8	BSP	805200001	M. APM 9 3/8 BSP
NIPPLE	3/8	1/2	BSP	805200003	M. APM 9 1/2 BSP
NIPPLE	1/2	1/2	BSP	805200005	M. APM 13 1/2 BSP
NIPPLE	1/2	3/4	BSP	805200007	M. APM 13 3/4 BSP
NIPPLE	5/8	3/4	BSP	805200009	M. APM 15 3/4 BSP
NIPPLE	3/4	1	BSP	805200011	M. APM 17 1 BSP



Nipple



Nipple

Repair Kits

ORDER CODE	DESCRIPTION
APM SERIES	
815700003	KIT M. APM9
815700005	KIT M. APM13
815700007	KIT M. APM 15
815700009	KIT M. APM 17
815700011	KIT M. APM 21
815700013	KIT M. APM 30

