



The PPC Series (Push-Pull Coupler) is built on the A Premier platform, featuring breakaway capabilities that engage when the coupler is unintentionally left coupled, preventing leakage and damage. Its clamp fixture is designed to be mounted to the structure; when pulled apart in line with the coupler, the PPC coupler will break away. For mobile applications, the APM series nipple is recommended with this series.



**FEATURES**

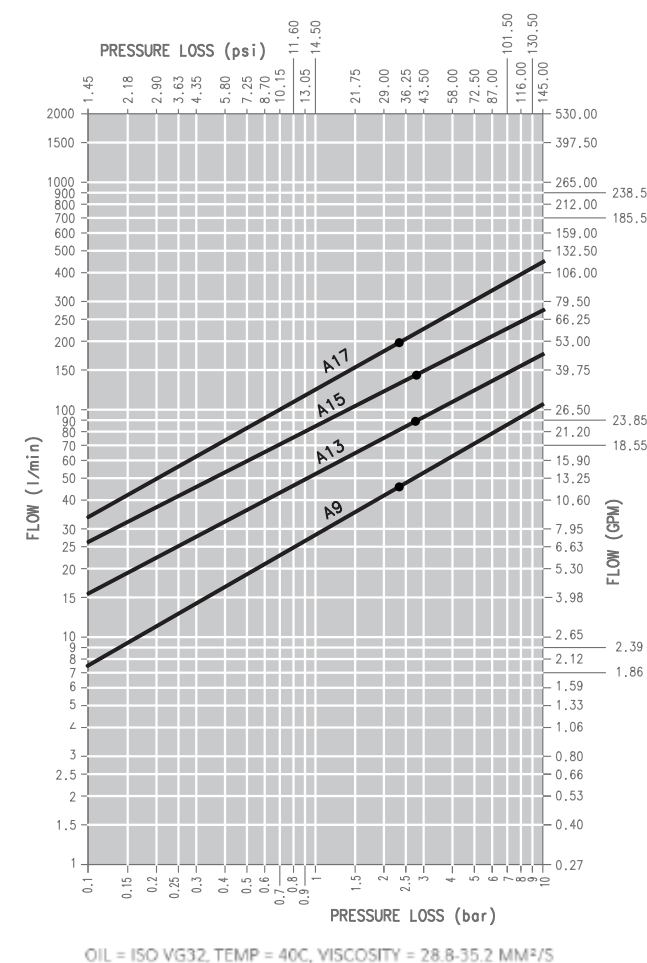
- Size range: 3/8" thru 3/4"
- Port options: NPT, SAE
- Interchanges with ISO 16028
- Simple, easy-to-use push-pull connection
- Breakaway design automatically disconnects in case of accidental traction or disconnection of the hydraulic hose
- Prevents leakage and damage

**APPLICATIONS**

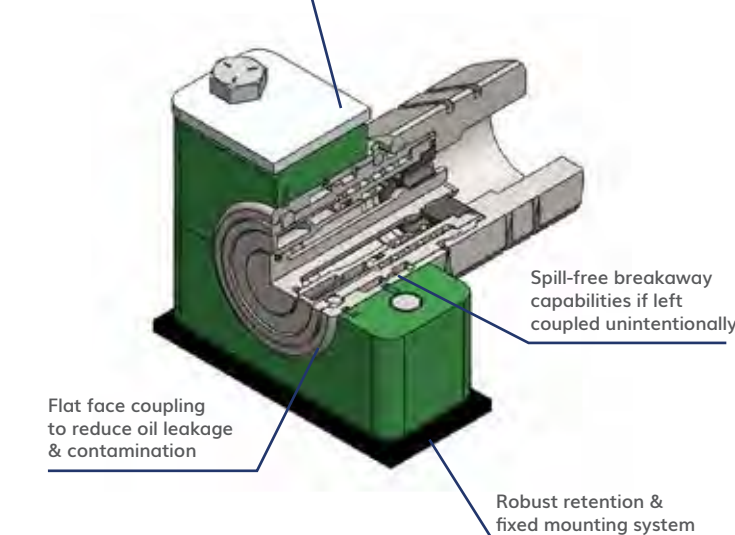
- Refuse compactor/power units and dump trailer connections
- Snow plow equipment
- Agricultural implements



**PRESSURE DROP**



Simple design for ease of replacement & maintenance



**ORDER CODES**

BODY SIZE	PORT SIZE	THREAD TYPE	ORDER CODE	COUPLER	DESCRIPTION
3/8	1/2	SAE	PPC0608FO	A9	PUSH PULL FF 3/8 X 1/2 SAE
1/2	1/2	NPT	PPC0808FP	A13	PUSH PULL FF 1/2 X 1/2 NPT
1/2	3/4	SAE	PPC0812FO	A13	PUSH PULL FF 1/2 X 3/4 SAE
1/2	3/4	NPT	PPC0812FP	A13	PUSH PULL FF 1/2 X 3/4 NPT
5/8	3/4	SAE	PPC1012FO	A15	PUSH PULL FF 5/8 X 3/4 SAE
5/8	3/4	NPT	PPC1012FP	A15	PUSH PULL FF 5/8 X 3/4 NPT
3/4	3/4	NPT	PPC1212FP	A17	PUSH PULL FF 3/4 X 3/4 NPT
3/4	1	NPT	PPC1216FP	A17	PUSH PULL FF 3/4 X 1 NPT

PPC Series Consists of Coupler and clamp assembly components