



The DP Series of Multi-Coupling Plates allows the simultaneous coupling and uncoupling of two to six hydraulic and/or electrical lines with a single simple movement requiring very little force. The circuit lines can all have the same nominal coupler diameter as well as different media. A dust cap is supplied, and options include an electrical connector for low voltage requirements and a parking station.



Instructions & Parking Stations – page 67

FEATURES

- Size range: 3/8" thru 1"
- Port options: NPT, SAE, BSP
- Connect/disconnect up to 25 MPa/300 bar/3625 psi residual pressure
- Working pressure: 30-35 MPa/4350-5075 psi
- Simple to use, with single-motion connection
- Auto-lock design prevents accidental disconnection
- Min. of 2 to max. of 6 lines of the same nominal coupling size and different media

APPLICATIONS

Any application requiring leak-free connections with or without residual pressure of multiple couplings

- Harvesters, front-end loaders, snow removal, construction machinery, mining, drilling machinery
- Refrigeration equipment



ORDER CODES

42	02	08	08	01	C	27
SERIES NUMBER	NUMBER OF COUPLINGS	SIZE OF COUPLER	PORT SIZE	THREAD	SUFFIX	OPTIONAL NUMBER OF ELECTRICAL CONNECTIONS
31 = DP2-9ZN 32 = DP4-9ZN 41 = DP2-13ZN 42 = DP4-13ZN	01# OF COUPLINGS 02# OF COUPLINGS 03# OF COUPLINGS ETC.	06 = 3/8 08 = 1/2 12 = 3/4 16 = 1 20 = 1 1/4 24 = 1 1/2	06 = 3/8 08 = 1/2 12 = 3/4 16 = 1 20 = 1 1/4 24 = 1 1/2	01 = NPT 04 = SAE	FH = FIX HALF MH = MOBILE HALF C = COMPLETE	17 1 ELECTRICAL CONNECTION 7 PRONGS 16 1 ELECTRICAL CONNECTION 6 PRONGS 27 2 ELECTRICAL CONNECTION 7 PRONGS

SERIES ORDER CODE PREFIX	COUPLER CODE # AND COUPLER SIZE MULTI-COUPLER PLATE SERIES MULTIPLE SIZE COUPLER	FAP 9	FAP 13	FAP 15	FAP 17	FAP 21	FAP 30
		3/8	1/2	3/4	1	1 1/4	1 1/2
31	DP2-9ZN	2					
41	DP2-13ZN		2				
32	DP4-9ZN	4					
42	DP4-13ZN		4				
36	DPJ-3ZN	1	1				
61	DP2-15ZN			2			
63	DP6ADZN	2			4		
71	DP2-17ZN				2		
76	DP3GEZN			1	2		

The above list represents the most popular stock items. Standard plates offer a variety of hydraulic coupler and electrical connector combinations too broad to list in this catalog page. Use the Stucchi ordering code system to create a coupling plate configuration for your application or contact a Stucchi representative to discuss your application and a solution.

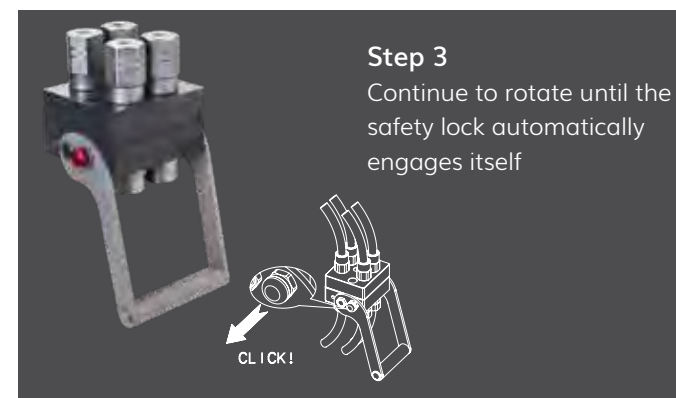
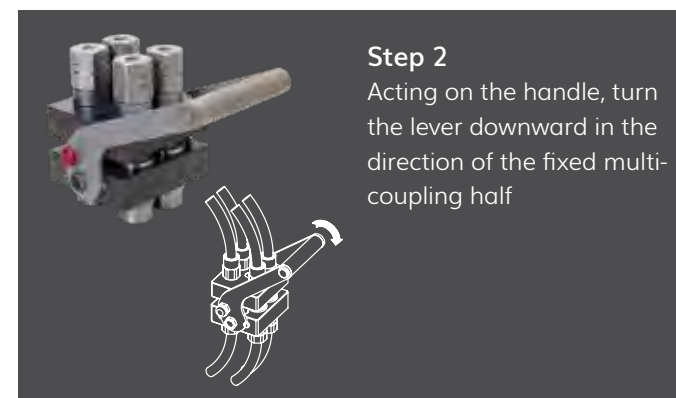
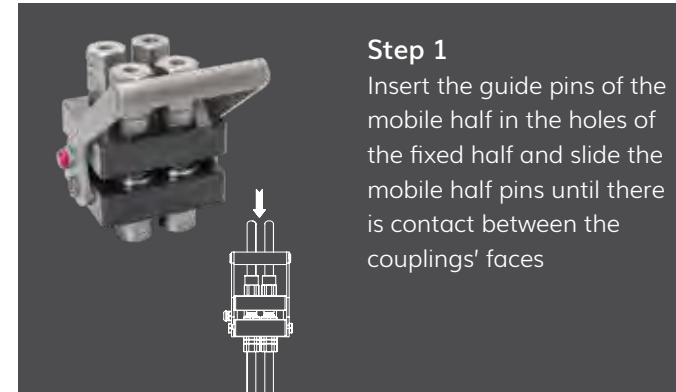
Notes: Plate capacities listed are the maximum number of couplers per plate. All plates can be made with fewer couplers. Electrical connectors can be added to any plate using 3/8 or 1/2 inch port spaces. Consult Stucchi USA for specific applications.



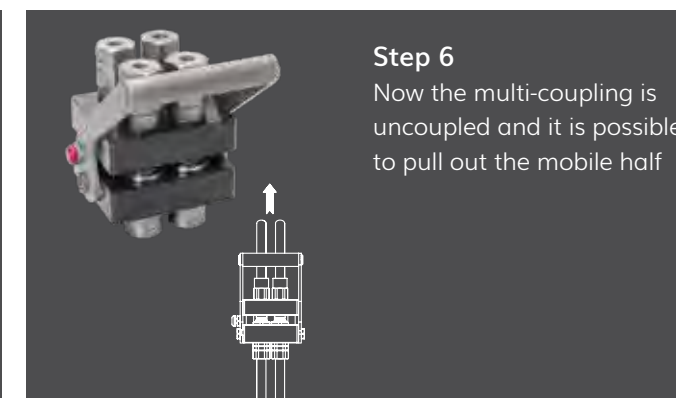
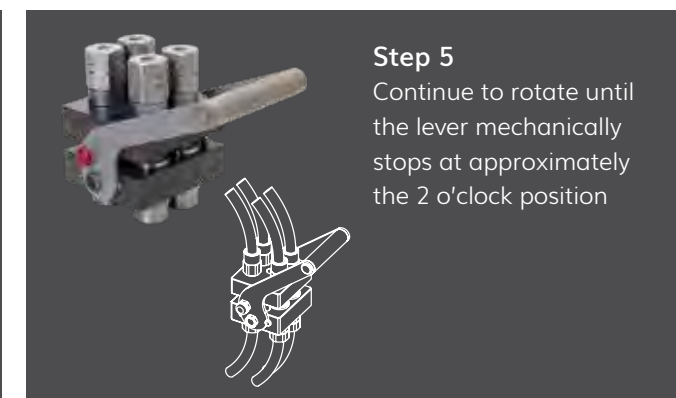
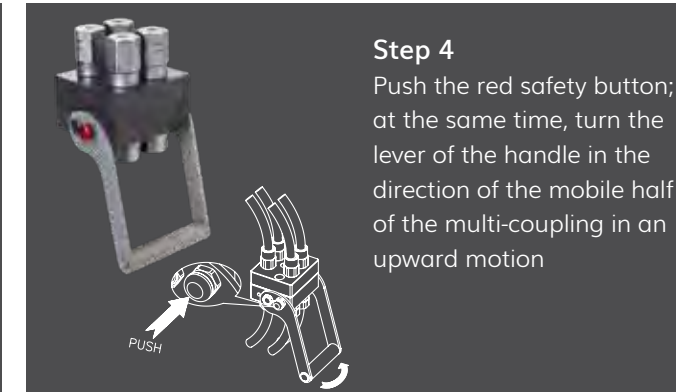
The Stucchi Solution to Connecting Multiple Couplings Simultaneously

1. Ergonomic lever for easy connect/disconnect with residual pressure
2. Patented coupling design to connect/disconnect multiple couplings with high residual pressure
3. Flat face couplers eliminate environmental issue of leakage
4. No risk of misalignment with guide pin design
5. Couplers mounted with snap rings for ease of installation or replacement
6. Fixed half male couplers interchangeable with ISO 16028 style flat face coupling
7. Electrical connector option for electronic control systems
8. Easily mounted on new equipment or retrofit on pre-existing system

To Connect



To Disconnect



WARNING

- Do not force the lever without pushing the red safety button
- Do not use extensions or other tools to ease the rotation of the lever
- Do not connect the fixed half with the mobile half if dirt or other material is between them
- When the multi-coupling is disconnected, it is suggested to use the dust cover for the fixed half and the parking station for the mobile half

Parking Stations

ORDER CODE	DESCRIPTION
815606029	PARKING STATION DP2-9
815606039	PARKING STATION DP4-9
815606037	PARKING STATION DP2-13
815606041	PARKING STATION DP4-13

