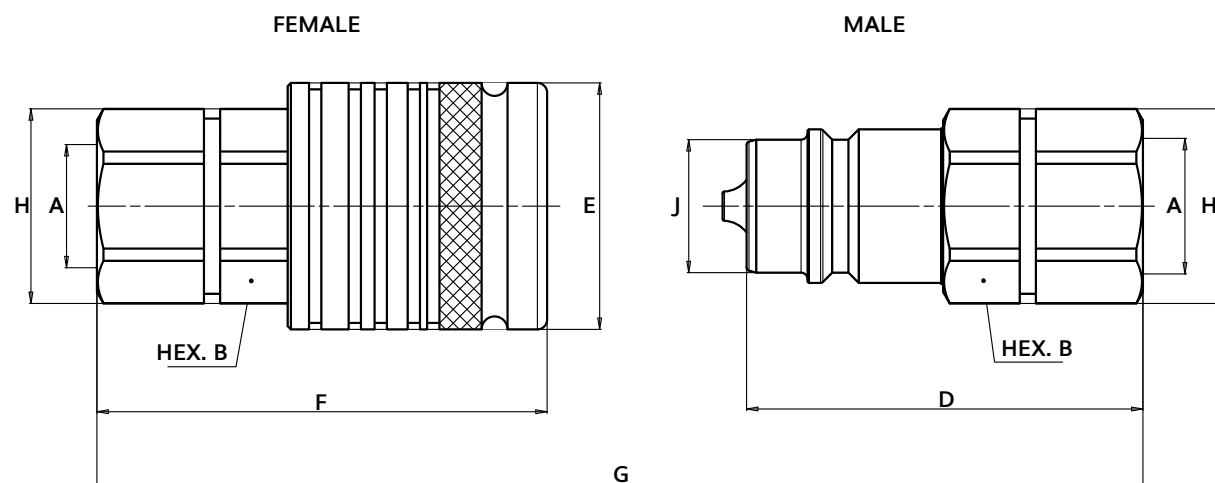




SIZE DIAGRAM



DESCRIPTION	BODY SIZE	A	DIMENSION	B	D	E	F	H	I
IP 38/138	3/8	3/8	mm	22	48.3	32	66.5	24	24
			inch	0.87	1.9	1.26	2.62	0.94	0.94
IP 12/112	1/2	1/2	mm	27	61.1	38	69.4	30	30
			inch	1.06	2.41	1.5	2.73	1.18	1.18
IP 34/134	3/4	3/4	mm	36	61	46	88	40	40
			inch	1.42	2.4	1.81	3.46	1.57	1.57
IP 100/1100	1	1	mm	41	73	54	107	45	45
			inch	1.61	2.87	2.13	4.21	1.77	1.77

I-IP Series BSP and NPT Thread Poppet Style Interchange Coupling

PART	BODY SIZE	PORT SIZE	THREAD TYPE	ORDER CODE	DESCRIPTION
I-IP BSP & NPT THREAD					
COUPLER	3/8	1/4	BSP	809400008	F. IP 38 1/4 BSP
NIPPLE	3/8	1/4	BSP	809400009	M. I 38 1/4 BSP
COUPLER	3/8	3/8	BSP	809400010	F. IP 38 3/8 BSP
NIPPLE	3/8	3/8	BSP	809400011	M. I 38 3/8 BSP
COUPLER	3/8	3/8	MALE BSP	809400012	F. IP 38 3/8 BSP EST DIN3852
NIPPLE	3/8	3/8	MALE BSP	809400013	M. I 38 3/8 BSP EST DIN3852
COUPLER	1/2	1/2	BSP	809400000	F. IP 12 1/2 BSP
NIPPLE	1/2	1/2	BSP	809400001	M. I 12GS 1/2 BSP
COUPLER	1/2	1/2	MALE BSP	809400002	F. IP 12 1/2 BSP EST
NIPPLE	1/2	1/2	MALE BSP	809400003	M. I 12GS 1/2 BSP EST
COUPLER	1/2	3/8	BSP	809400004	F. IP 12 3/8 BSP
NIPPLE	1/2	3/8	BSP	809400005	M. I 12GS 3/8 BSP
NIPPLE	1/2	3/8	MALE BSP	809400007	M. I 12GS 3/8 BSP EST
COUPLER	1/2	1/2	NPT	809401000	F. IP 12 1/2 NPT
NIPPLE	1/2	1/2	NPT	809401001	M. I 12GS 1/2 NPT
COUPLER	3/4	3/4	BSP	809400014	F. I 34 3/4 BSP
NIPPLE	3/4	3/4	BSP	809400015	M. I 34 3/4 BSP
NIPPLE	3/4	3/4	NPT	809401003	M. I 34 3/4 NPT
COUPLER	1	3/4	BSP	809400016	F. IP 100 3/4 BSP
NIPPLE	1	3/4	BSP	809400017	M. I 100 3/4 BSP
COUPLER	1	1	BSP	809400018	F. IP 100 1 BSP
NIPPLE	1	1	BSP	809400019	M. I 100 1 BSP



Coupler



Nipple

POPPET INTERCHANGE COUPLERS



The SH Series H-IH Interchange Coupling features a simple-to-use, compact design constructed in carbon steel with zinc plating. The poppet valve with elastomer seal provides maximum sealing of the couplings when disconnected, to meet a variety of general purpose needs across various applications.



Protective Caps & Plugs – page 107

FEATURES

Size range: 1/4" thru 2"
Port options: NPT
Interchanges with Snap-Tite H, Faster TNV, Dixon V
Working pressure: 19-35 MPa/2755-5075 psi range

- Simple-to-use, compact design
- Machined components from high-strength steel
- PTFE anti-extrusion ring to protect seal components

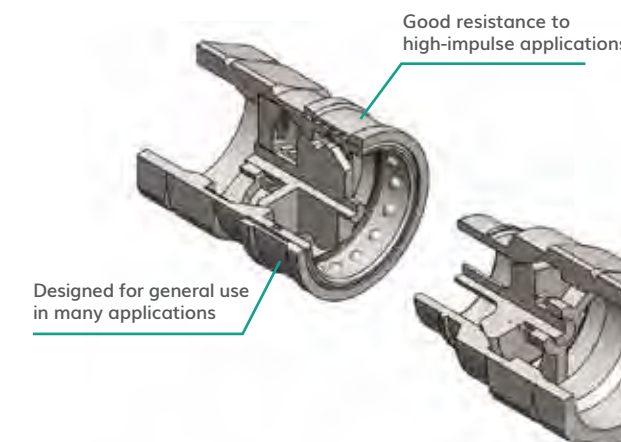
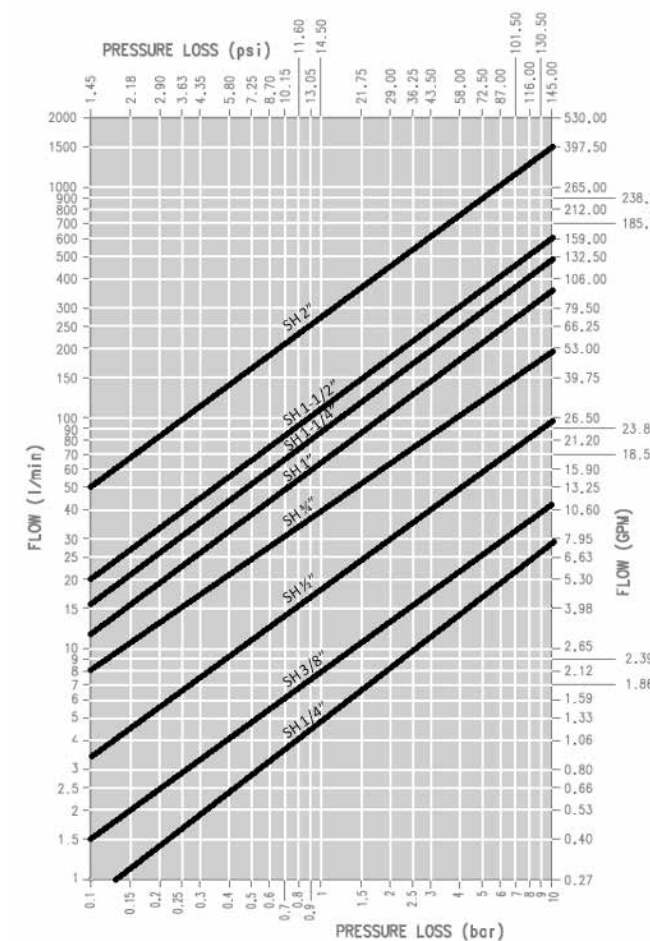
APPLICATIONS

General-purpose coupler used across various applications

Anywhere high resistance to impulse pressures is needed



PRESSURE DROP



PERFORMANCE

NOMINAL SIZE		MAX. OPERATING PRESSURE COUPLED MPa	RATED FLOW (L/M)	MALE		BURST PRESSURE FEMALE		COUPLED		FLUID SPILLAGE (cc)
SIZE	ISO			MPa	psi	MPa	psi	MPa	psi	
1/4	6.3	35	12	151	21895	176	25520	145	21025	0.5
3/8	10	35	23	147	21315	152	22040	159	23055	1.9
1/2	12.5	25	45	100	14500	146	21170	124	17980	2.7
3/4	20	25	106	90	13050	153	22185	104	15080	9.3
1	25	20	189	130	18850	96	13920	130	18850	16
1 1/4	31.5	20	288	114	16530	85	12325	109	15805	30
1 1/2	40	19	379	81	11745	79	11455	82	11890	54
2	50	19	757	65	9425	96	13920	110	15950	120

* SS upon request.