



The VEPHD (Heavy Duty) Series offers the same features of the VEP series, with upgraded material, a yellow O-ring visual ID, and larger mating areas. Like the VEP, the VEPHD is a popular solution for hydraulic circuit applications subject to high pressure impulses and circuits that experience high residual or trapped pressure in a line, offered in a more durable, higher grade of steel and all QPQ plating for increased longevity.



Protective Caps & Plugs – page 54

FEATURES

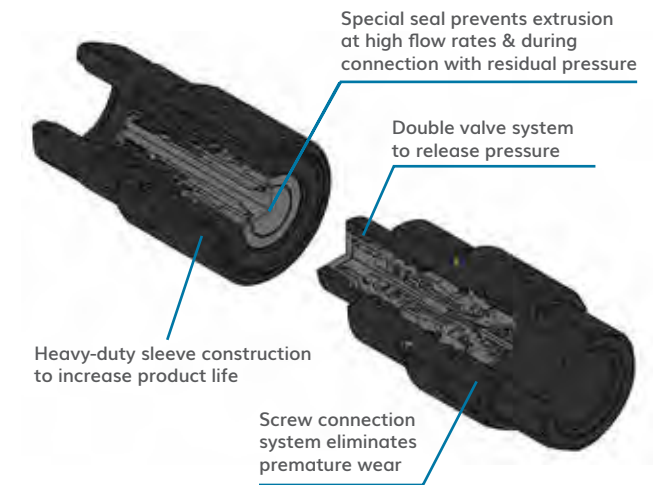
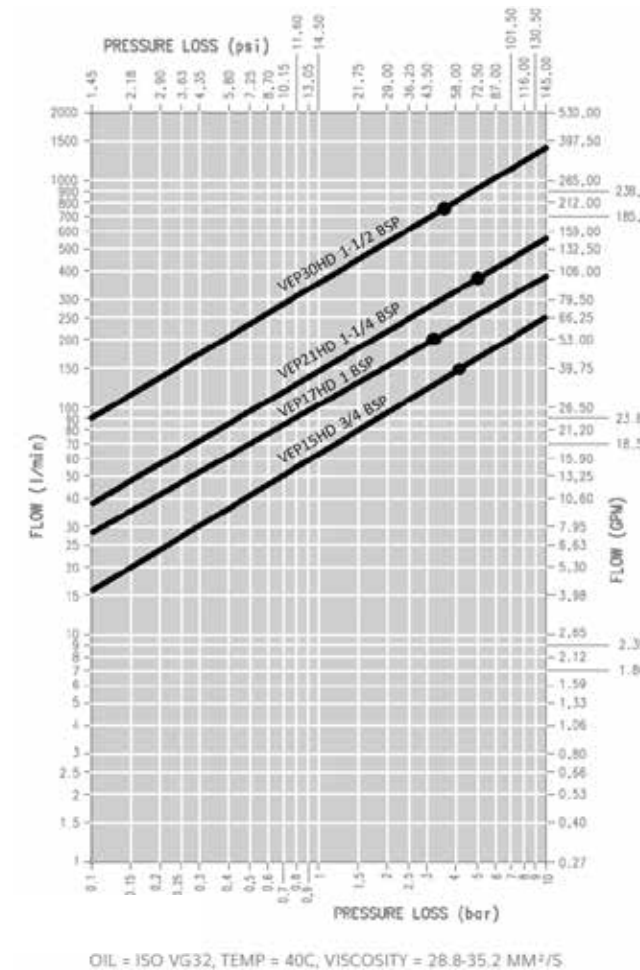
- Size range: 3/4" thru 1 1/2"
- Port options: NPT, SAE, Flange Ports
- Interchanges with VEP, VEPHDL Series
- Connect/disconnect up to 25 MPa/3625 psi residual pressure
- Working pressure: 40-55 MPa/5800-7975 psi range
- Higher grade of steel for longer life
- Eliminates brinelling, reduces leakage
- Entire body in QPQ
- Wrench flats on male for ease of connection

APPLICATIONS

- High impulse mobile circuits
- All construction equipment applications with higher pressure requirements or connection/disconnection issues with tool attachments under residual pressure
- Excavators w/ auxiliary line for attachments: thumbs, grapples, hammers, hydraulic compactors, hydraulic tampers, demolition



PRESSURE DROP



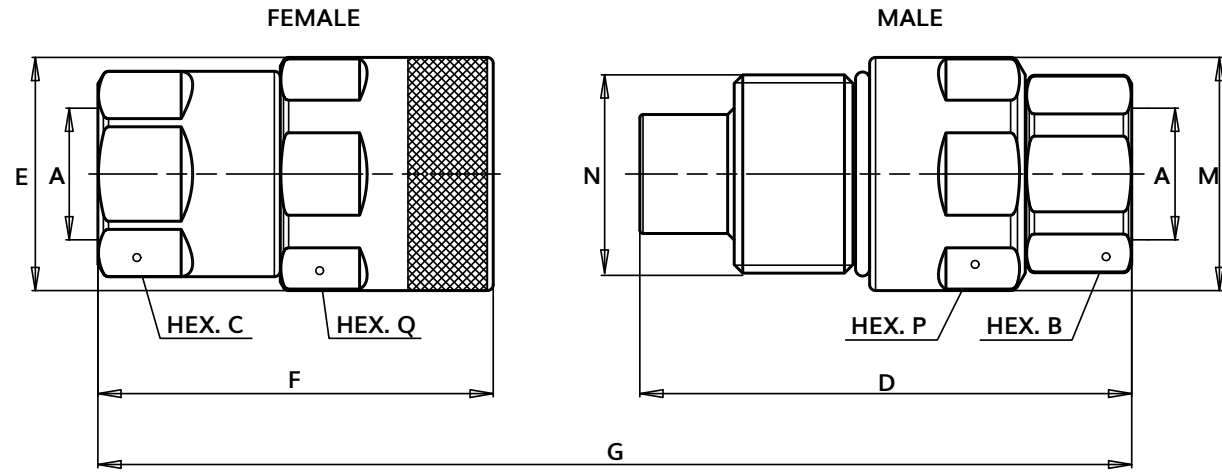
PERFORMANCE

DESCRIPTION	PORT TYPE	SIZE	MAX. OPERATING PRESSURE COUPLED		COUPLED		BURST PRESSURE		MAX. RESIDUAL PRESSURE DURING CONNECTION		SPILLAGE*		
			MPa	psi	MPa	psi	MALE	FEMALE	MPa	psi			
VEPHD FLANGE PORT													
VEP17HD	FLANGE	1	42	6091	165	24000	165	24000	100	14500	25	3625	0.018
VEP21HD	FLANGE	1 1/4	42	6091	165	24000	165	24000	80	11600	25	3625	0.060
VEP30HD	FLANGE	1 1/2	42	6091	165	24000	165	24000	80	11600	25	3625	0.200
VEPHD NPT / SAE													
VEP15HD	NPT/SAE	3/4	55	7975	140	20300	140	20300	100	14500	25	3625	0.033
VEP17HD	NPT/SAE	1	50	7250	125	18125	125	18125	100	14500	25	3625	0.018
VEP21HD	NPT/SAE	1 1/4	47	6815	120	17400	120	17400	80	11600	25	3625	0.060
VEP30HD	NPT/SAE	1 1/2	40	5800	110	15950	110	15950	80	11600	25	3625	0.200

* Spillage is an indicative value of the fluid loss per couple-uncouple cycle.

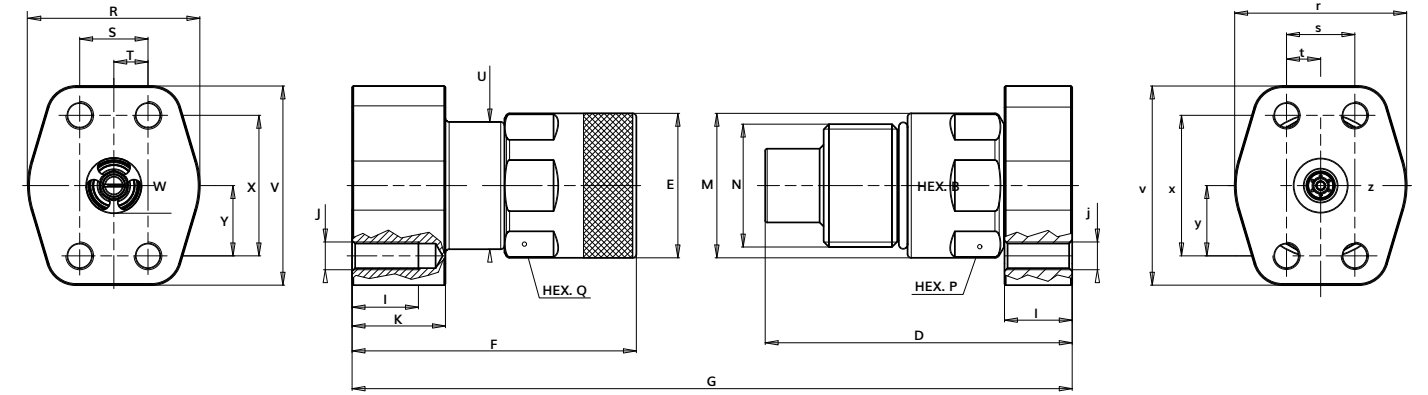


SIZE DIAGRAM



DESCRIPTION	BODY SIZE	A	UNIT	B	C	D	E	F	G	M	N	P	Q	UNIT	WEIGHT	
															MALE	FEMALE
VEP15HD	5/8	3/4	mm	36.0	41.0	106	53.8	84.9	172.4	53.8	M34x3	50	50	kg	0.93	2.05
			inch	1.42	1.61	4.17	2.12	3.34	6.79	2.12		1.97	1.97	lb	0.95	2.09
VEP17HD	1	3/4	mm	46	46	124	58.8	99.7	200.9	58.8	M50x3	55	55	kg	1.350	1.330
			inch	1.81	1.81	4.88	2.31	3.93	7.91	2.31		2.17	2.17	lb	2.98	2.93
VEP17HD	1	1	mm	46	46	12	58.8	99.7	200.9	58.8	M50x3	55	55	kg	1.300	1.280
			inch	1.81	1.81	4.88	2.31	3.93	7.91	2.31		2.17	2.17	lb	2.87	2.82
VEP21HD	1 1/4	1	mm	55	55	133.4	69.8	106.8	216.2	69.8	M58x3	65	65	kg	1.890	2.120
			inch	2.17	2.17	5.25	2.75	4.20	8.51	2.75		2.56	2.56	lb	4.17	4.67
VEP21HD	1 1/4	1 1/4	mm	55	55	133.4	69.8	106.8	216.2	69.8	M58x3	65	65	kg	1.790	2.020
			inch	2.17	2.17	5.25	2.75	4.20	8.51	2.75		2.56	2.56	lb	3.95	4.45
VEP30HD	1 1/2	1 1/4	mm	65	65	150	95	133.5	253.9	94.4	M80x4	75	85	kg	3.400	4.460
			inch	2.56	2.56	5.91	3.74	5.26	10.0	3.72		2.95	3.35	lb	7.50	9.83
VEP30HD	1 1/2	1 1/2	mm	65	65	150	95	133.5	253.9	94.4	M80x4	75	85	kg	3.300	4.360
			inch	2.56	2.56	5.91	3.74	5.26	10.0	3.72		2.95	3.35	lb	7.28	9.61

SIZE DIAGRAM VEPHD Flange Pad



DESCRIPTION	UNIT	D	E	F	G	I	J	K	L	M	N	P
VEP17HD 1	mm	125	58.8	115.7	217.9	27	UNC 7/16 - 14	38	27.55	58.8	M50X3	55
FPU CODE 62	inch	4.92	2.31	4.56	8.58	1.06		1.5	1.08	2.31		2.16
VEP21HD 1	mm	135.2	69.8	116.8	228	27	M12	38	38	69.8	M58X3	65
FPM CODE 62	inch	5.32	2.75	4.6	8.98	1.06		1.5	1.5	2.75		2.56
VEP21HD 1 1/4	mm	123.2	69.8	115.8	215	25	UNC 1/2 - 13	37	26	69.8	M58X3	65
FPU CODE 62	inch	4.85	2.75	4.57	8.46	0.98		1.46	1.02	2.75		2.56
VEP30HD 1 1/4	mm	147.6	95	148.5	266.5	27	UNC 1/2 - 13 2B	37.9	35	94.4	80X4 TPF	75
FPU CODE 62	inch	5.81	3.74	5.85	10.49	1.06		1.49	1.38	3.72		2.95
VEP30HD 1 1/4	mm	147.6	95	148.5	266.5	25	M14	37.9	35	94.4	80X4 TPF	75
FPM CODE 62	inch	5.81	3.74	5.85	10.49	0.98		1.49	1.38	3.72		2.95
VEP30HD 1 1/2	mm	149.6	95	156.6	276.6	35	UNC 5/8 - 11	46	37	94.4	80X4 TPF	75
FPU CODE 62	inch	5.89	3.74	6.16	10.89	1.38		1.81	1.46	3.72		2.95

DESCRIPTION	UNIT	Q	R	S	T	U	V	W	X	Y	Z	UNIT	WEIGHT	
													MALE	FEMALE
VEP17HD 1	mm	55	70	27.8	13.9	51.8	81.05	22.5	57.2	28.6	22	kg	1.96	2.34
FPU CODE 62	inch	2.16	2.76	1.09	0.55	2.04	3.19	0.89	2.25	1.13	0.87	lb	4.31	5.15
VEP21HD 1	mm	65	70	27.8	13.9	68	81.05	22.5	57.2	28.6	22.5	kg	2.23	2.82
FPM CODE 62	inch	2.56	2.76	1.09	0.55	2.68	3.19	0.89	2.25	1.13	0.89	lb	4.91	6.2
VEP21HD 1 1/4	mm	65	78	31.8	15.9	68	95.25	25.6	66.6	33.3	25.6	kg	2.45	3.29
FPU CODE 62	inch	2.56	3.07	1.25	0.63	2.68	3.75	1.01	2.62	1.31	1.01	lb	5.39	7.24
VEP30HD 1 1/4	mm	85	78	31.8	15.9	89	95.25	32	66.6	33.3	32	kg	4.01	5.68
FPU CODE 62	inch	3.35	3.07	1.25	0.63	3.5	3.75	1.26	2.62	1.31	1.26	lb	8.82	12.5
VEP30HD 1 1/4	mm	85	78	31.8	15.9	89	95.25	32	66.6	33.3	32	kg	4.01	5.68
FPM CODE 62	inch	3.35	3.07	1.25	0.63	3.5	3.75	1.26	2.62	1.31	1.26	lb	8.82	12.5
VEP30HD 1 1/2	mm	85	95	36.5	18.25	89	112.8	35	79.3	39.65	32	kg	4.81	6.91
FPU CODE 62	inch	3.35	3.74	1.44	0.72	3.5	4.44	1.38	3.12	1.56	1.26	lb	10.58	15.2

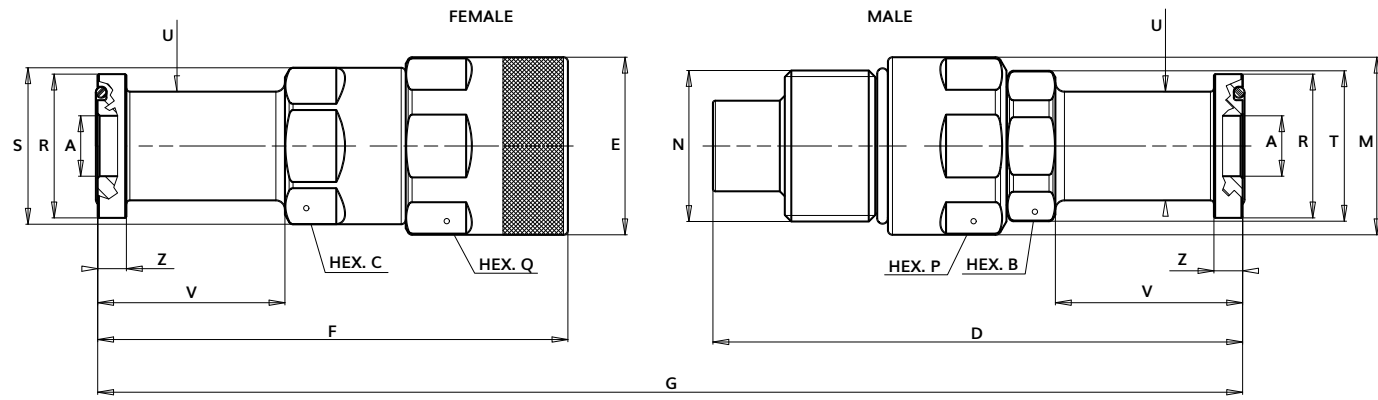
THREADED FLAT FACE COUPLERS

VEPHD SERIES

THREADED FLAT FACE COUPLERS



SIZE DIAGRAM VEPHD Connect Under Pressure



DESCRIPTION	UNIT	A	B	C	D	E	F	G	M	N	P
VEP17HD 1 FH CODE 62	mm	20	46	46	175.4	58.8	155.7	308.3	58.8	M50X3	55
	inch	0.79	1.81	1.81	6.9	2.31	6.13	12.14	2.31		2.16
VEP21HD 1 1/4 FH CODE 62	mm	25.6	55	55	184.2	69.8	170.8	331	69.8	M58X3	65
	inch	1.01	2.16	2.16	7.25	2.75	6.72	13.03	2.75		2.56
VEP30HD 1 1/4 FH CODE 62	mm	28	65	65	201.6	95	199.5	371.5	94.4	80X4 TPF	75
	inch	1.1	2.56	2.56	7.94	3.74	7.85	14.63	3.72		2.95
VEP30HD 1 1/2 FH CODE 62	mm	32	65	65	211.6	95	209.5	391.5	94.4	80X4 TPF	75
	inch	1.26	2.56	2.56	8.33	3.74	8.25	15.41	3.72		2.95

DESCRIPTION	UNIT	WEIGHT									
		Q	R	S	T	U	V	Z	UNIT	MALE	FEMALE
VEP17HD 1 FH CODE 62	mm	55	47.6	51.8	49.8	36	62	9.5	kg	1.65	1.68
	inch	2.16	1.87	2.04	1.96	1.42	2.44	0.37	lb	3.63	3.7
VEP21HD 1 1/4 FH CODE 62	mm	65	53.9	68	59.8	41.9	69	10.3	kg	2.16	2.6
	inch	2.56	2.12	2.68	2.35	1.65	2.72	0.41	lb	4.75	5.72
VEP30HD 1 1/4 FH CODE 62	mm	85	53.9	89	69.8	44	69	10.3	kg	3.61	5.01
	inch	3.35	2.12	3.5	2.75	1.73	2.72	0.41	lb	7.94	11.02
VEP30HD 1 1/2 FH CODE 62	mm	85	63.5	89	69.8	49	79	12.6	kg	3.85	5.23
	inch	3.35	2.5	3.5	2.75	1.93	3.11	0.5	lb	8.47	11.51

VEPHD Series Accessories Aluminum | Coupler Dust Plug | Coupler Dust Cap

SIZE	PART	ORDER CODE	DESCRIPTION	PART	ORDER CODE	DESCRIPTION
VEPHD COUPLER DUST PLUG						
VEPHD COUPLER DUST CAP						
3/4	PLUG	815300036	CAP F. VEP15R	CAP	815300037	CAP M. VEP15R
1	PLUG	815300038	CAP F. VEP17R	CAP	815300039	CAP M. VEP17R
1 1/4	PLUG	815300040	CAP F. VEP21R	CAP	815300041	CAP M. VEP21R
1 1/2	PLUG	815300028	CAP F. VEP30R	CAP	815300029	CAP M. VEP30R



Plug



Cap

VEPHD NPT and SAE Thread Flat Face Coupling with High Residual Pressure

PART	BODY SIZE	PORT SIZE	THREAD TYPE	ORDER CODE	DESCRIPTION
VEPHD NPT THREAD					
COUPLER	3/4	3/4	NPT	808101010	F. VEP15HD 3/4 NPT
NIPPLE	3/4	3/4	NPT	808101011	M. VEP15HD 3/4 NPT
COUPLER	1	1	NPT	808101012	F. VEP17HD 1 NPT
NIPPLE	1	1	NPT	808101013	M. VEP17HD 1 NPT
COUPLER	1 1/4	1 1/4	NPT	808101014	F. VEP21HD 1 1/4 NPT
NIPPLE	1 1/4	1 1/4	NPT	808101015	M. VEP21HD 1 1/4 NPT
COUPLER	1 1/2	1 1/2	NPT	808101016	F. VEP30HD 1 1/2 NPT
NIPPLE	1 1/2	1 1/2	NPT	808101017	M. VEP30HD 1 1/2 NPT
VEPHD SAE THREAD					
COUPLER	3/4	3/4	SAE	808104010	F. VEP15HD 3/4 SAE
NIPPLE	3/4	3/4	SAE	808104011	M. VEP15HD 3/4 SAE
COUPLER	1	1	SAE	808104012	F. VEP17HD 1 SAE
NIPPLE	1	1	SAE	808104013	M. VEP17HD 1 SAE
COUPLER	1 1/4	1 1/4	SAE	808104014	F. VEP21HD 1 1/4 SAE
NIPPLE	1 1/4	1 1/4	SAE	808104015	M. VEP21HD 1 1/4 SAE
COUPLER	1 1/2	1 1/2	SAE	808104016	F. VEP30HD 1 1/2 SAE
NIPPLE	1 1/2	1 1/2	SAE	808104017	M. VEP30HD 1 1/2 SAE



Coupler



Nipple

VEPHD Flange Ports Code 62 Flat Face Coupling with High Residual Pressure

PART	BODY SIZE	PORT SIZE	PORT TYPE	BOLT SIZE FP	ORDER CODE	DESCRIPTION
VEPHD FLANGE PORTS						
COUPLER	1	1	FH	N/A	808124012	F. VEP17HD 1 FH CODE 62
NIPPLE	1	1	FH	N/A	808124013	M. VEP17HD 1 FH CODE 62
COUPLER	1	1	FPU	7/16 - 14 UNC	808124020	F. VEP17HD 1 FPU CODE 62
NIPPLE	1	1	FPU	7/16 - 14 UNC	808124021	M. VEP17HD 1 FPU CODE 62
COUPLER	1 1/4	1	FPM	M12	808124018	F. VEP21HD 1 FPM CODE 62
NIPPLE	1 1/4	1	FPM	M12	808124019	M. VEP21HD 1 FPM CODE 62
COUPLER	1 1/4	1 1/4	FH	N/A	808124014	F. VEP21HD 1 1/4 FH CODE 62
NIPPLE	1 1/4	1 1/4	FH	N/A	808124015	M. VEP21HD 1 1/4 FH CODE 62
COUPLER	1 1/4	1 1/4	FPU	1/2 - 13 UNC	808124022	F. VEP21HD 1 1/4 FPU CODE 62
NIPPLE	1 1/4	1 1/4	FPU	1/2 - 13 UNC	808124023	M. VEP21HD 1 1/4 FPU CODE 62
COUPLER	1 1/2	1 1/2	FH	N/A	808124016	F. VEP30HD 1 1/2 FH CODE 62
NIPPLE	1 1/2	1 1/2	FH	N/A	808124017	M. VEP30HD 1 1/2 FH CODE 62
COUPLER	1 1/2	1 1/2	FPU	5/8 - 11 UNC	808124024	F. VEP30HD 1 1/2 FPU CODE 62
NIPPLE	1 1/2	1 1/2	FPU	5/8 - 11 UNC	808124025	M. VEP30HD 1 1/2 FPU CODE 62
COUPLER	1 1/2	1 1/4	FPU	1/2 - 13 UNC	808124036	F. VEP30HD 1 1/4 FPU CODE 62
NIPPLE	1 1/2	1 1/4	FPU	1/2 - 13 UNC	808124037	M. VEP30HD 1 1/4 FPU CODE 62
COUPLER	1 1/2	1 1/4	FH	N/A	808124038	F. VEP30HD 1 1/4 FH CODE 62
NIPPLE	1 1/2	1 1/4	FH	N/A	808124039	M. VEP30HD 1 1/4 FH CODE 62
COUPLER	1 1/2	1 1/4	FPM	M14	808124034	F. VEP30HD 1 1/4 FPM CODE 62 M14
NIPPLE	1 1/2	1 1/4	FPM	M14	808124035	M. VEP30HD 1 1/4 FPM CODE 62 M14
COUPLER	1 1/2	1 1/4	FPM	M12	808124040	F. VEP30HD 1 1/4 FPM CODE 62 M12
NIPPLE	1 1/2	1 1/4	FPM	M12	808124041	M. VEP30HD 1 1/4 FPM CODE 62 M12



Flange Head



Flange Pad

Two bolt thread options for flange pad ports: UNC and Metric. For size 1 1/4 pad metric options are M12 & M14.

VEPHD Flange Ports Code 61 Flat Face Coupling with High Residual Pressure

DESCRIPTION	BODY SIZE	PORT SIZE	PORT TYPE	BOLT SIZE FP	ORDER CODE	DESCRIPTION
VEPHD FLANGE PORTS						
COUPLER	3/4	3/4	FH	N/A	808124046	F. VEP15HD 3/4 FH CODE 61
NIPPLE	3/4	3/4	FH	N/A	808124047	M. VEP15HD 3/4 FH CODE 61
COUPLER	1	1	FH	N/A	808124050	F. VEP17HD 1 FH CODE 61
NIPPLE	1	1	FH	N/A	808124051	M. VEP17HD 1 FH CODE 61

THREADED FLAT FACE COUPLERS