



The VEPHDL Series Heavy-duty Locking Flat Face Coupler is the ultimate failsafe solution for the most demanding hydraulic applications. This locking female version is interchangeable with standard VEPHD series flat face thread-to-connect heavy-duty couplers and features a visual connection indicator for a foolproof connection, every time.

Protective Caps & Plugs,
Replacement Lock Pins – page 59



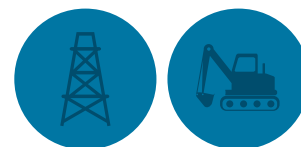
FEATURES

- Size range: 1" thru 1 1/2"
- Port options: NPT, SAE, Code 62 Flange Ports
- Interchanges with VEPHD, VEP
- Connect / disconnect up to 25 MPa/3625 psi residual pressure
- Working pressure: 40-50 MPa/5800-7975 psi range
- Locking heavy-duty series with visual connection indicator
- Failsafe leak-free connection

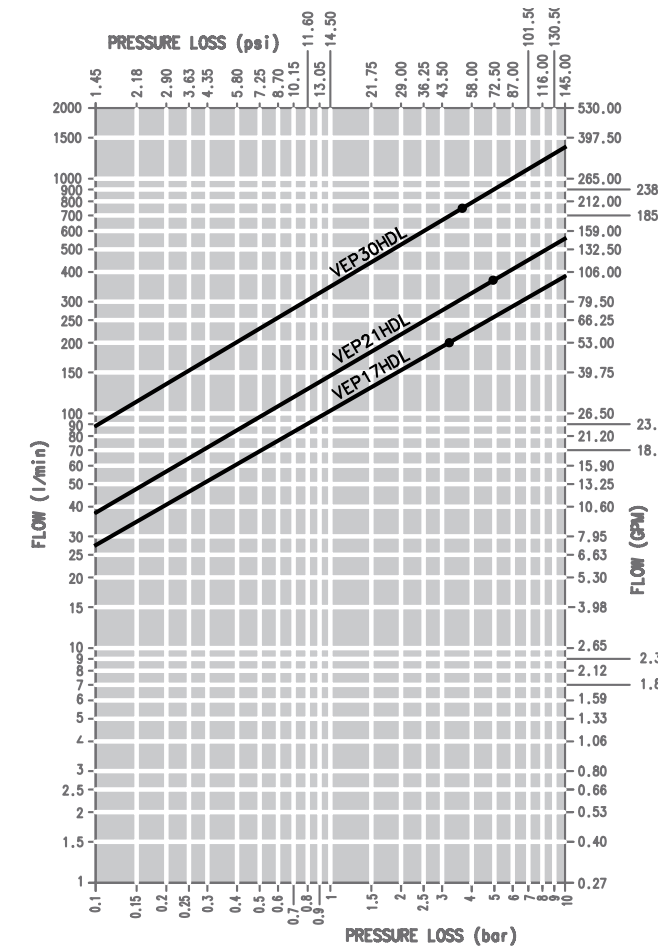
APPLICATIONS

Most demanding hydraulic applications: high pressure, high impulse

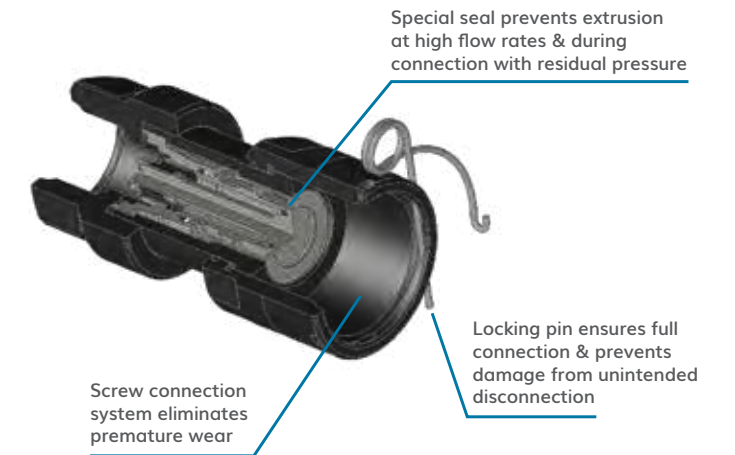
- Heavy-duty applications where vibrations and torsion are present
- Mobile excavation and construction: backhoes, loaders, excavators
- Anywhere failsafe connection is critical



PRESSURE DROP



OIL = ISO VG32, TEMP = 40C, VISCOSITY = 28.8-35.2 MM²/S



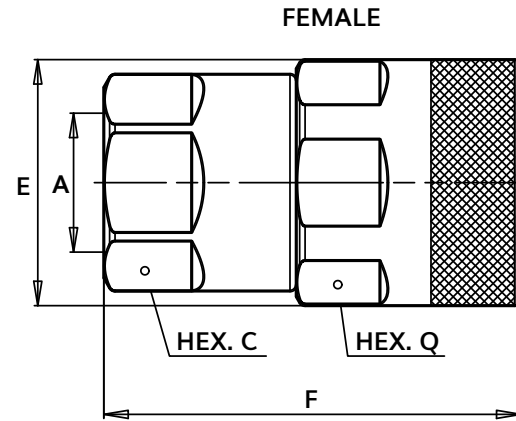
PERFORMANCE

DESCRIPTION	PORT TYPE	SIZE	MAX. OPERATING PRESSURE COUPLED		COUPLED		BURST PRESSURE		FEMALE		MAX. RESIDUAL PRESSURE DURING CONNECTION SPILLAGE*		
			MPa	psi	MPa	psi	MALE	FEMALE	MPa	psi	MPa	psi	ml
VEPHDL FLANGE PORT													
VEP17HDL	FLANGE	1	42	6091	165	24000	165	24000	100	14500	25	3625	0.018
VEP21HDL	FLANGE	1 1/4	42	6091	165	24000	165	24000	80	11600	25	3625	0.060
VEP30HDL	FLANGE	1 1/2	42	6091	165	24000	165	24000	80	11600	25	3625	0.200
VEPHDL NPT / SAE													
VEP17HDL	NPT/SAE	1	50	7250	125	18125	125	18125	100	14500	25	3625	0.018
VEP21HDL	NPT/SAE	1 1/4	47	6815	120	17400	120	17400	100	14500	25	3625	0.060
VEP30HDL	NPT/SAE	1 1/2	40	5800	110	15950	110	15950	80	11600	25	3625	0.200

* Spillage is an indicative value of the fluid loss per couple-uncouple cycle.



SIZE DIAGRAM



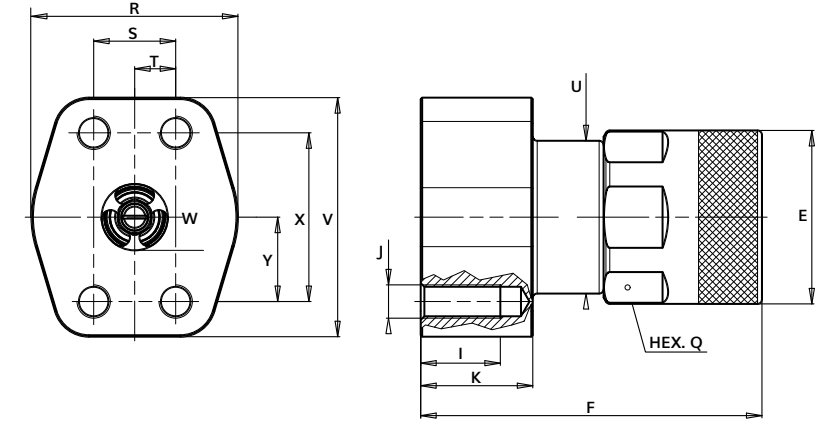
DESCRIPTION	BODY SIZE	A	UNIT	C	E	F	Q	UNIT	WEIGHT FEMALE
VEP17HDL	1	3/4	mm	46	58.8	99.7	55	kg	1.350
			inch	1.81	2.31	3.93	2.17	lb	2.98
VEP17HDL	1	1	mm	46	58.8	99.7	55	kg	1.300
			inch	1.81	2.31	3.93	2.17	lb	2.87
VEP21HDL	1 1/4	1	mm	55	69.8	106.8	65	kg	1.890
			inch	2.17	2.75	4.20	2.56	lb	4.17
VEP21HDL	1 1/4	1 1/4	mm	55	69.8	106.8	65	kg	1.790
			inch	2.17	2.75	4.20	2.56	lb	3.95
VEP30HDL	1 1/2	1 1/4	mm	65	95	133.5	85	kg	3.400
			inch	2.56	3.74	5.26	3.35	lb	7.50
VEP30HDL	1 1/2	1 1/2	mm	65	95	133.5	85	kg	3.300
			inch	2.56	3.74	5.26	3.35	lb	7.28

VEPHDL NPT and SAE Thread, Flange Ports

PART	BODY SIZE	PORT SIZE	THREAD TYPE	BOLT SIZE FP	ITEM CODE	DESCRIPTION
COUPLER	3/4	3/4	NPT	-	810901006	F. VEP15HDL 3/4 NPT
COUPLER	3/4	3/4	SAE	-	810904006	F. VEP15HDL 3/4 SAE
COUPLER	1	1	NPT	-	810901004	F. VEP17HDL 1 NPT
COUPLER	1	1	SAE	-	810904004	F. VEP17HDL 1 SAE
COUPLER	1 1/4	1 1/4	BSP	-	810900008	F. VEP21HDL 1 1/4 BSP
COUPLER	1 1/4	1 1/4	NPT	-	810901000	F. VEP21HDL 1 1/4 NPT
COUPLER	1 1/4	1 1/4	SAE	-	810904000	F. VEP21HDL 1 1/4 SAE
COUPLER	1 1/4	1 1/4	FH	-	810924002	F. VEP21HDL 1 1/4 FH CODE 62
COUPLER	1 1/4	1 1/4	FPM	M12	810924004	F. VEP21HDL 1 1/4 FPM CODE 62
COUPLER	1 1/4	1 1/4	FPU	1/2 - 13UNC	810924012	F. VEP21HDL 1 1/4 FPU CODE 62
COUPLER	1 1/2	1 1/2	NPT	-	810901002	F. VEP30HDL 1 1/2 NPT
COUPLER	1 1/2	1 1/2	SAE	-	810904002	F. VEP30HDL 1 1/2 SAE
COUPLER	1 1/2	1 1/2	FPU	5/8 - 11UNC	810924008	F. VEP30HDL 1 1/2 FPU CODE 62
COUPLER	1 1/2	1 1/2	FH	-	810924010	F. VEP30HDL 1 1/2 FH CODE 62
COUPLER	1 1/2	1 1/4	FH	-	810924038	F. VEP30HDL 1 1/4 FH CODE 62

SIZE DIAGRAM

VEPHD Flange Pad



DESCRIPTION	UNIT	F	R	S	T	U	V	W	X	Y	Z	WEIGHT FEMALE	
VEP17HDL 1 FPU CODE 62	mm	115.7	70	27.8	13.9	51.8	81.05	22.5	57.2	28.6		kg	2.34
	inch	4.56	2.76	1.09	0.55	2.04	3.19	0.89	2.25	1.13		lb	5.15
VEP21HDL 1 FPM CODE 62	mm	116.8	70	27.8	13.9	68	81.05	22.5	57.2	28.6		kg	2.82
	inch	4.6	2.76	1.09	0.55	2.68	3.19	0.89	2.25	1.13		lb	6.2
VEP21HDL 1 1/4 FPU CODE 62	mm	115.8	78	31.8	15.9	68	95.25	25.6	66.6	33.3		kg	3.29
	inch	4.57	3.07	1.25	0.63	2.68	3.75	1.01	2.62	1.31		lb	7.24
VEP30HDL 1 1/4 FPU CODE 62	mm	148.5	78	31.8	15.9	89	95.25	32	66.6	33.3		kg	5.68
	inch	5.85	3.07	1.25	0.63	3.5	3.75	1.26	2.62	1.31		lb	12.5
VEP30HDL 1 1/4 FPM CODE 62	mm	148.5	78	31.8	15.9	89	95.25	32	66.6	33.3		kg	5.68
	inch	5.85	3.07	1.25	0.63	3.5	3.75	1.26	2.62	1.31		lb	12.5
VEP30HDL 1 1/2 FPU CODE 62	mm	156.6	95	36.5	18.25	89	112.8	35	79.3	39.65		kg	6.91
	inch	6.16	3.74	1.44	0.72	3.5	4.44	1.38	3.12	1.56		lb	15.2

VEPHDL Series Accessories Aluminum | Coupler Dust Plug | Coupler Dust Cap

SIZE	PART	ORDER CODE	DESCRIPTION	PART	ORDER CODE	DESCRIPTION
			VEPHDL COUPLER DUST PLUG		VEPHDL COUPLER DUST CAP	
3/4	PLUG	815300036	CAP F. VEP15R	CAP	815300037	CAP M. VEP15R
1	PLUG	815300038	CAP F. VEP17R	CAP	815300039	CAP M. VEP17R
1 1/4	PLUG	815300040	CAP F. VEP21R	CAP	815300041	CAP M. VEP21R
1 1/2	PLUG	815300028	CAP F. VEP30R	CAP	815300029	CAP M. VEP30R



Plug



Cap

Replacement Lock Pin

SIZE	ORDER CODE	DESCRIPTION
3/4	CALL FOR ITEM CODE	VEPHDL 15 LOCK PIN
1	CALL FOR ITEM CODE	VEPHDL 17 LOCK PIN
1 1/4	815701187	VEPHDL 21 LOCK PIN
1 1/2	815701188	VEPHDL 30 LOCK PIN

THREADED FLAT FACE COUPLERS