



The VOFX Series Threaded Poppet Couplers provide high resistance to pressure impulses and are manufactured with corrosion-resistant 316 stainless steel, in a compact design. As with the VOF, the internal parts of the VOFX are designed to reduce turbulence and pressure drop, and its poppet valve with elastomer seal provides maximum sealing of the couplings when disconnected. A wrench flat on the bodies facilitates the fitting assembly.



Repair Kits – page 118

Protective Caps & Plugs – page 119

FEATURES

Size range: 3/4" thru 2"

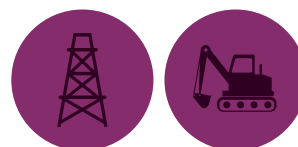
Port options: NPT

Interchanges with Snap-Tite 75, Dixon WS

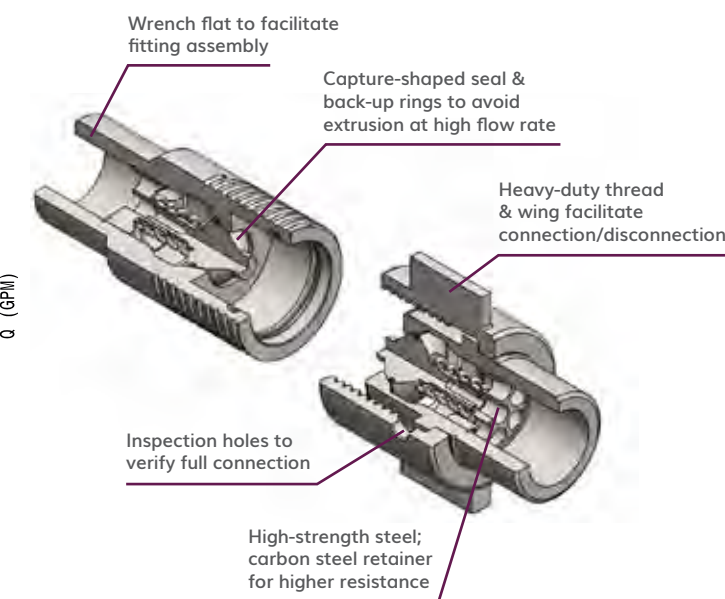
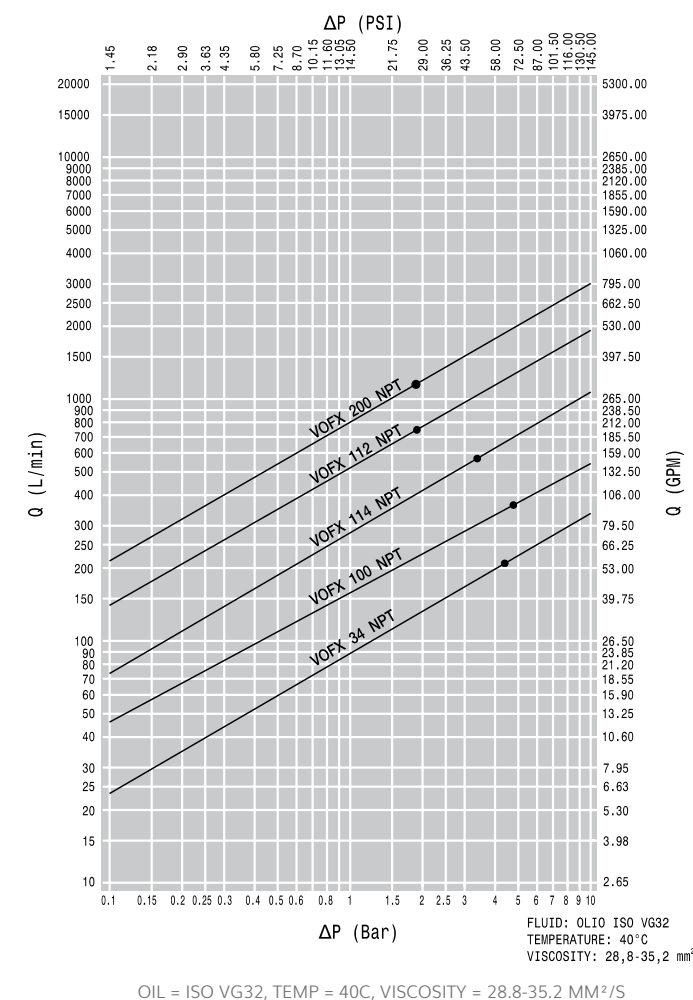
- 316 stainless steel material to resist corrosion
- Positive-stop valving prevents flow checking
- Large-diameter sleeves resist deformation for maximum life
- Inspection hole to visually confirm complete connection

APPLICATIONS

- Oil & gas applications needing high resistance to pressure impulses, such as BOPs and top drives
- Suitable for open- or closed-center hydraulic system



PRESSURE DROP



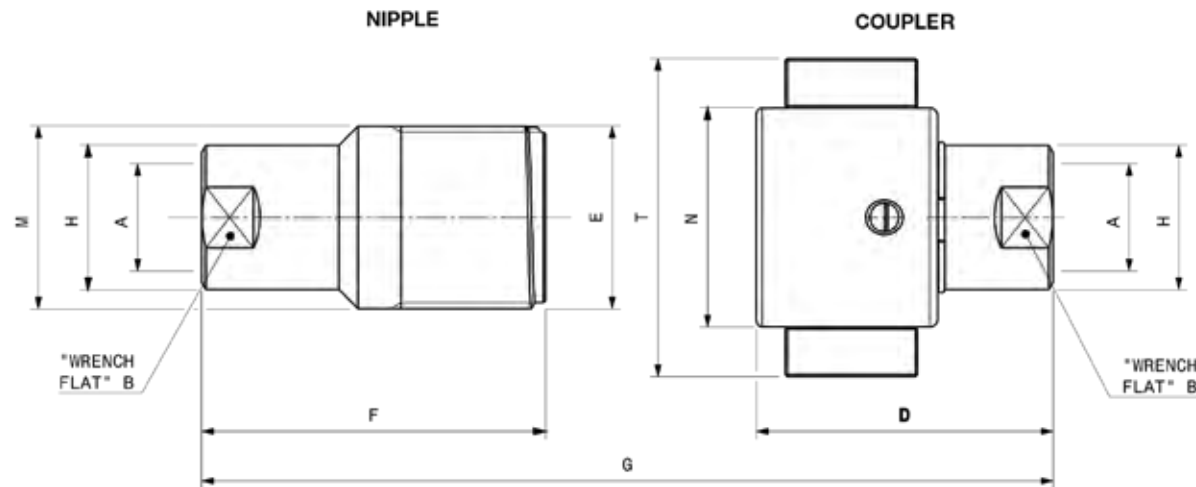
PERFORMANCE

DESCRIPTION	SIZE	MAX. OPERATING PRESSURE COUPLED		COUPLED		BURST PRESSURE			SPILLAGE*	
		MPa	psi	MPa	psi	MALE	FEMALE	MPa		psi
VOFX 34	3/4	20.7	3000	82.8	12000	62.1	9000	62.1	9000	11.5
VOFX 100	1	20.7	3000	82.8	12000	62.1	9000	62.1	9000	21.2
VOFX 114	1 1/4	20.7	3000	82.8	12000	62.1	9000	62.1	9000	42.3
VOFX 112	1 1/2	20.7	3000	82.8	12000	62.1	9000	62.1	9000	86.5
VOFX 200	2	20.7	3000	82.8	12000	62.1	9000	62.1	9000	166

* Spillage is an indicative value of the fluid loss per couple-uncouple cycle.



SIZE DIAGRAM

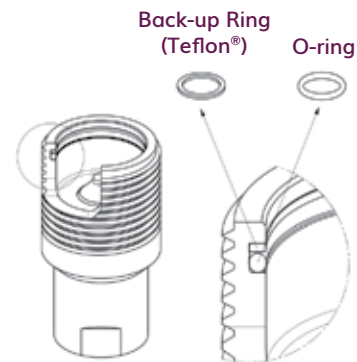


DESCRIPTION	BODY SIZE	A	UNIT	B	F	G	D	T	N	M	H	UNIT	WEIGHT	
													NIPPLE	COUPLER
VOFX 34	3/4	3/4	mm	31.75	83.2	123.6	71.8	77	53	44.3	35	kg	0.477	0.61
			inch	1 1/4	3.28	4.87	2.83	3.03	2.09	1.74	1.38	lbs	1.052	1.345
VOFX 100	1	1	mm	41.28	105.8	152.9	87.3	105	69	57.15	45	kg	1.189	1.375
			inch	1 5/8	4.17	6.02	3.44	4.13	2.72	2.25	1.77	lbs	2.621	3.031
VOFX 114	1 1/4	1 1/4	mm	50.8	136.7	197.9	112.4	116	80	66.67	54.5	kg	1.951	2.273
			inch	2	5.38	7.79	4.43	4.57	3.15	2.62	2.15	lbs	4.301	5.011
VOFX 112	1 1/2	1 1/2	mm	57.15	151.2	220.3	126.9	145	95	82.55	63.5	kg	3.223	3.841
			inch	2 1/4	5.95	8.67	5	5.71	3.74	3.25	2.5	lbs	7.105	8.468
VOFX 200	2	2	mm	76.2	179	255.2	154.2	182.5	122.5	101.6	82.6	kg	6.042	8.103
			inch	3	7.05	10.05	6.07	7.19	4.82	4.00	3.25	lbs	13.32	17.864

Spare Kit Seal for Nipple

BODY SIZE	DESCRIPTION	ORDER CODE
3/4	VOFX 34 KIT	8155700956
1	VOFX 100 KIT	8155700958
1 1/4	VOFX 114 KIT	8155700960
1 1/2	VOFX 112 KIT	8155701122
2	VOFX 200 KIT	8155700964

O-ring in Nitrile
Back-up in Teflon®



VOFX Stainless Interchange NPT Thread Threaded Poppet

PART	BODY SIZE	PORT SIZE	THREAD TYPE	ORDER CODE	DESCRIPTION
VOFX NPT THREAD					
NIPPLE	3/4	3/4	NPT	811201050	M. VOFX 34 NPT
COUPLER	3/4	3/4	NPT	811201051	F. VOFX 34 NPT
NIPPLE	1	1	NPT	811201052	M. VOFX 100 NPT
COUPLER	1	1	NPT	811201053	F. VOFX 100 NPT
NIPPLE	1 1/4	1 1/4	NPT	811201054	M. VOFX 114 NPT
COUPLER	1 1/4	1 1/4	NPT	811201055	F. VOFX 114 NPT
NIPPLE	1 1/2	1 1/2	NPT	811201056	M. VOFX 112 NPT
COUPLER	1 1/2	1 1/2	NPT	811201057	F. VOFX 112 NPT
NIPPLE	2	2	NPT	811201058	M. VOFX 200 NPT
COUPLER	2	2	NPT	811201059	F. VOFX 200 NPT

VOFX Series Accessories Protective Caps and Plugs

BODY SIZE	ORDER CODE		MATERIAL / COLOR
	PLUG FOR COUPLER	CAP FOR NIPPLE	
3/4	815405013	815405012	ALUMINUM / NATURAL
1	815405011	815405010	ALUMINUM / NATURAL
1 1/4	815405015	815405014	ALUMINUM / NATURAL
1 1/2	815405017	815405016	ALUMINUM / NATURAL
2	815405019	815405018	ALUMINUM / NATURAL

Protective caps, which can increase the product life, are always recommended to protect the couplings from damage and dirt. This is particularly important in oil & gas and mobile applications, where exposure to weather and aggregate materials are common. The protective caps for VOFX couplings are manufactured in aluminum (natural color). Upon request, caps can also be manufactured in a stainless steel version.

