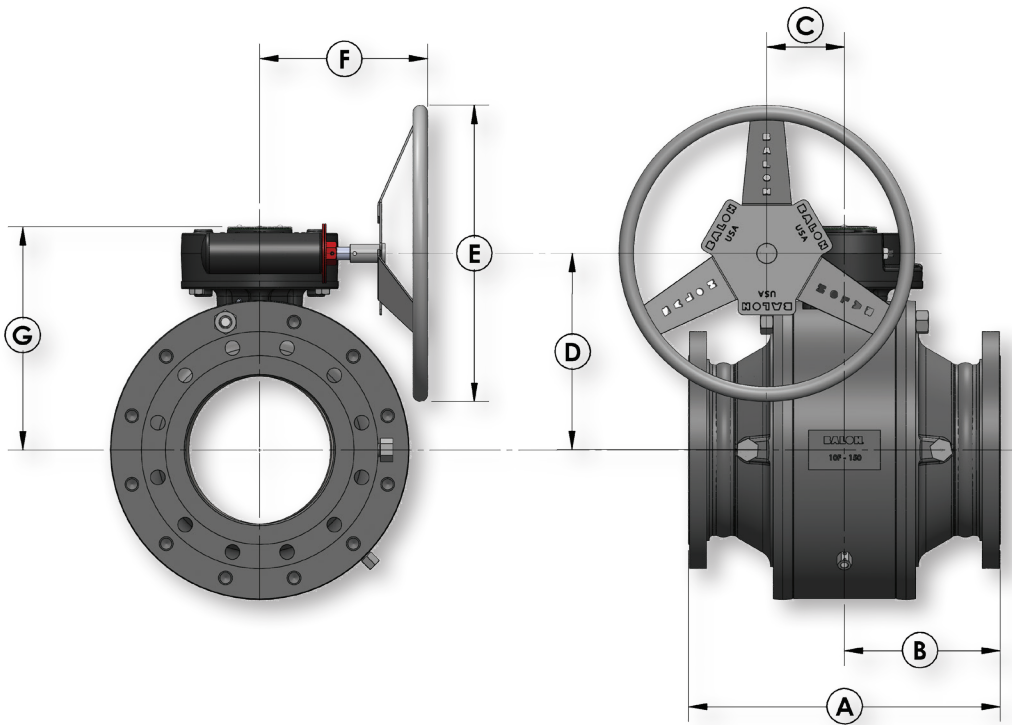


# Series T Trunnion Valves ANSI Class 150



## Series T Carbon Steel

- 100% Made in USA
- ANSI Class 150 (285 PSI WP)
- 10" through 12"
- Bolted Body Construction
  - Certified Low Emission Per API 641
  - Certified Fire Safe per API 6FA
  - Exclusive Balon Gearbox (See page G-2)
  - Multi-Seal Seats (See page B-5)
  - Temperature rating of -20° to 250°F
  - Available in Low-Temp Service to -50°F



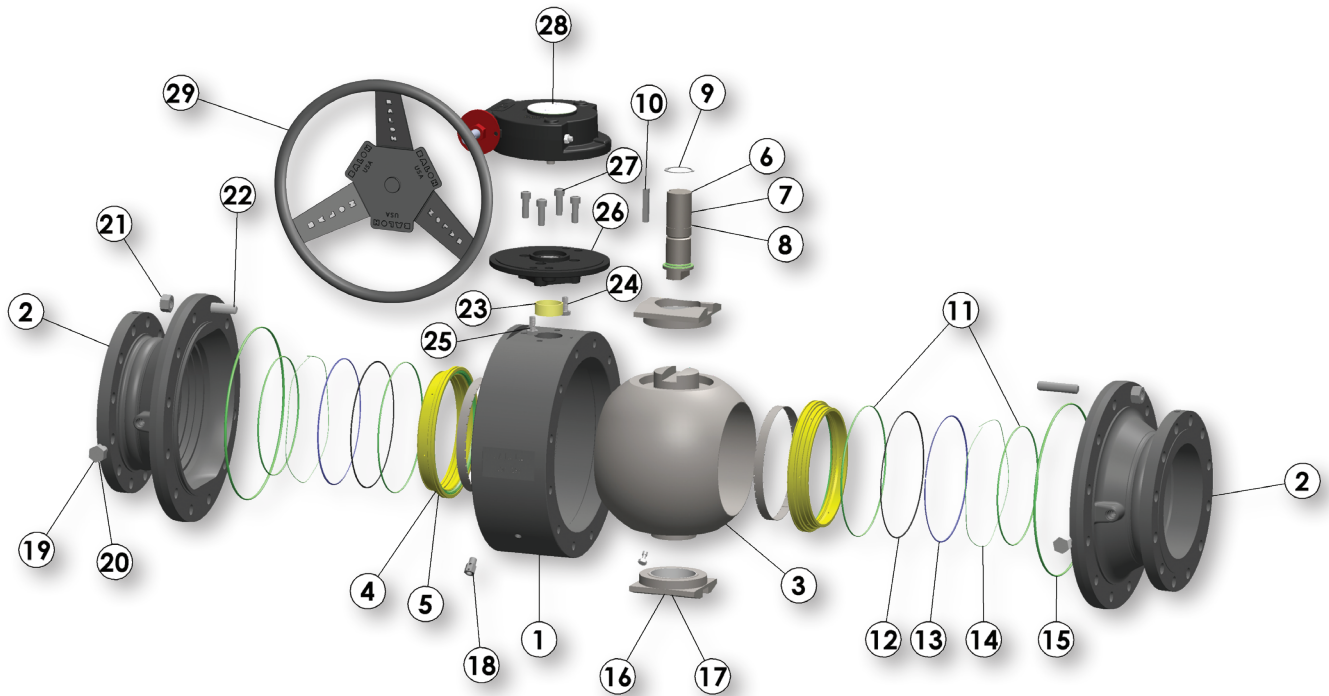
### Dimensional Data

| SIZE     | CATALOG NUMBER                               |   |                                     | PORT | A     | B     | C    | D     | E  | F     | G     | LBS.  |
|----------|--|---|-------------------------------------|------|-------|-------|------|-------|----|-------|-------|-------|
|          | STANDARD TRIM<br>CARBON STEEL<br>BALL & STEM | NACE TRIM<br>CARBON STEEL<br>BALL & STEM* | NACE TRIM<br>316 SS<br>BALL & STEM* |      |       |       |      |       |    |       |       |       |
| 10x10x10 | 10F-T13-RF                                   | 10F-T13CN-RF*                             | 10F-T13SN-RF*                       | 10   | 21.00 | 10.50 | 5.25 | 13.26 | 20 | 13.56 | 15.25 | 937.5 |
| 12x12x12 | 12F-T13-RF                                   | 12F-T13CN-RF*                             | 12F-T13SN-RF*                       | 12   | 24.00 | 12.00 | 3.04 | 18.85 | 20 | 11.85 | 20.60 | 1481  |

\* NACE Valves are also available in low temp at -50° to 250°F. Call factory for details.

# Series T Trunnion Valves ANSI Class 150

## Series T Carbon Steel



### Material Description

| ITEM | PART NAME                 | STANDARD TRIM                        | CARBON STEEL NACE                    | STAINLESS STEEL NACE  |
|------|---------------------------|--------------------------------------|--------------------------------------|-----------------------|
| 1    | Body                      | ASTM A105, Normalized                | ASTM A105, Normalized                | ASTM A105, Normalized |
| 2    | Adapter                   | ASTM A105, Normalized                | ASTM A105, Normalized                | ASTM A105, Normalized |
| 3    | Ball                      | Carbon Steel<br>Nickel Chrome Plated | Carbon Steel<br>Nickel Chrome Plated | 316 Stainless Steel   |
| 4    | Seat Carrier              | Carbon Steel<br>Nickel Chrome Plated | Carbon Steel<br>Nickel Chrome Plated | 316 Stainless Steel   |
| 5    | Seat Insert               | Nylon 11/Acetal                      | Nylon 11/Acetal                      | Nylon 11/Acetal       |
| 6    | Stem                      | Carbon Steel                         | Carbon Steel                         | 316 Stainless Steel   |
| 7    | Stem O-Ring               | Buna-N                               | Fluorocarbon                         | Fluorocarbon          |
| 8    | Stem Thrust Washer        | TFE                                  | TFE                                  | TFE                   |
| 9    | Snap Ring                 | Carbon Spring Steel                  | Carbon Spring Steel                  | Carbon Spring Steel   |
| 10   | Stem Key                  | Steel Key Stock                      | Steel Key Stock                      | Steel Key Stock       |
| 11   | Seat O-Ring               | Buna-N                               | Fluorocarbon                         | Fluorocarbon          |
| 12   | Fireseal                  | Graphite                             | Graphite                             | Graphite              |
| 13   | Fireseal Support Ring     | Stainless Steel                      | Stainless Steel                      | Stainless Steel       |
| 14   | Spring                    | Inconel X-750                        | Inconel X-750                        | Inconel X-750         |
| 15   | Body O-Ring               | Buna-N                               | Fluorocarbon                         | Fluorocarbon          |
| 16   | Bearing Block             | Carbon Steel                         | Carbon Steel                         | Stainless Steel       |
| 17   | Trunnion Bearing          | 316 SS/TFE                           | 316 SS/TFE                           | 316 SS/TFE            |
| 18   | Bleed Fitting             | 316 Stainless Steel                  | 316 Stainless Steel                  | 316 Stainless Steel   |
| 19   | Sealant Injection Fitting | Alloy Steel                          | Alloy Steel                          | Alloy Steel           |
| 20   | Internal Check Fitting    | 316 Stainless Steel                  | 316 Stainless Steel                  | 316 Stainless Steel   |
| 21   | Nuts                      | ASTM A194 2H                         | ASTM A194 2HM                        | ASTM A194 2HM         |
| 22   | Studs                     | ASTM A193 B7                         | ASTM A193 B7M                        | ASTM A193 B7M         |
| 23   | Stem Bearing              | Glass/TFE                            | Glass/TFE                            | Glass/TFE             |
| 24   | Hexhead Capscrew          | Alloy Steel                          | Alloy Steel                          | Alloy Steel           |
| 25   | Lock Washer               | Alloy Steel                          | Alloy Steel                          | Alloy Steel           |
| 26   | Adapter Plate             | Ductile Iron                         | Ductile Iron                         | Ductile Iron          |
| 27   | Capscrews                 | Alloy Steel                          | Alloy Steel                          | Alloy Steel           |
| 28   | Gear Operator             | Ductile Iron                         | Ductile Iron                         | Ductile Iron          |
| 29   | Handwheel                 | Carbon Steel                         | Carbon Steel                         | Carbon Steel          |