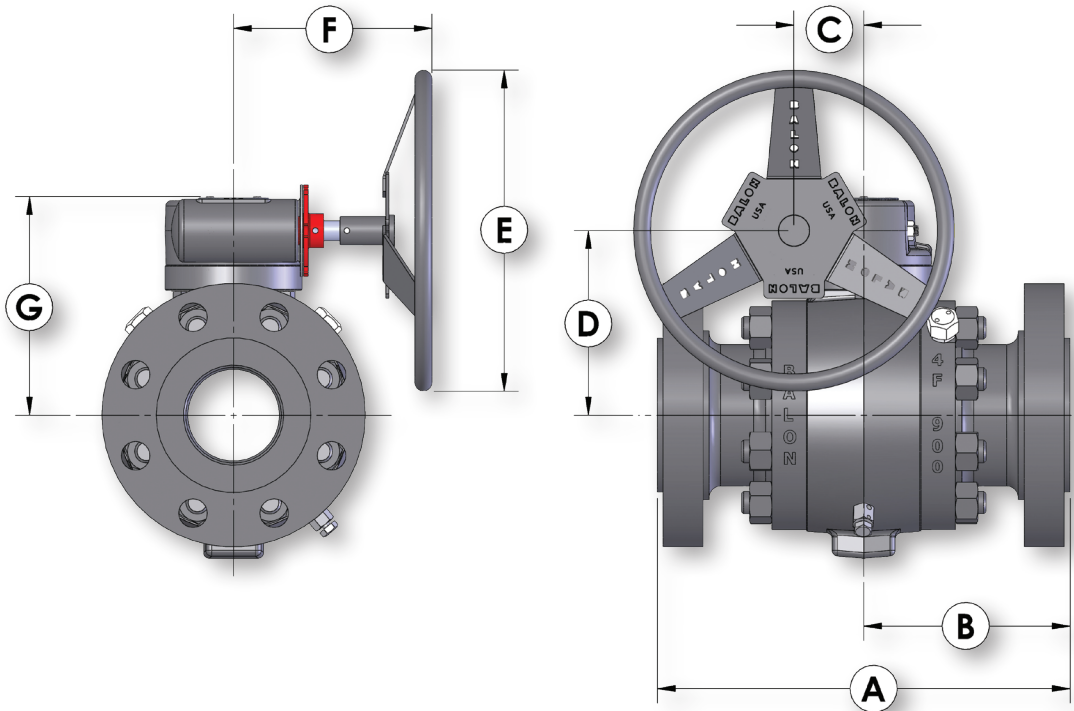


# Series T Trunnion Valves ANSI Class 900



## Series T Carbon Steel

- 100% Made in USA
- ANSI Class 900 (2220 PSI WP)
- 4"
- Bolted Body Construction
  - Certified Low Emission Per API 641
  - Certified Fire Safe per API 6FA
  - Exclusive Balon Gearbox (See page G-2)
  - Multi-Seal Seats (See page B-5)
  - Temperature rating of -20° to 250°F
  - Available in Low-Temp Service to -50°F



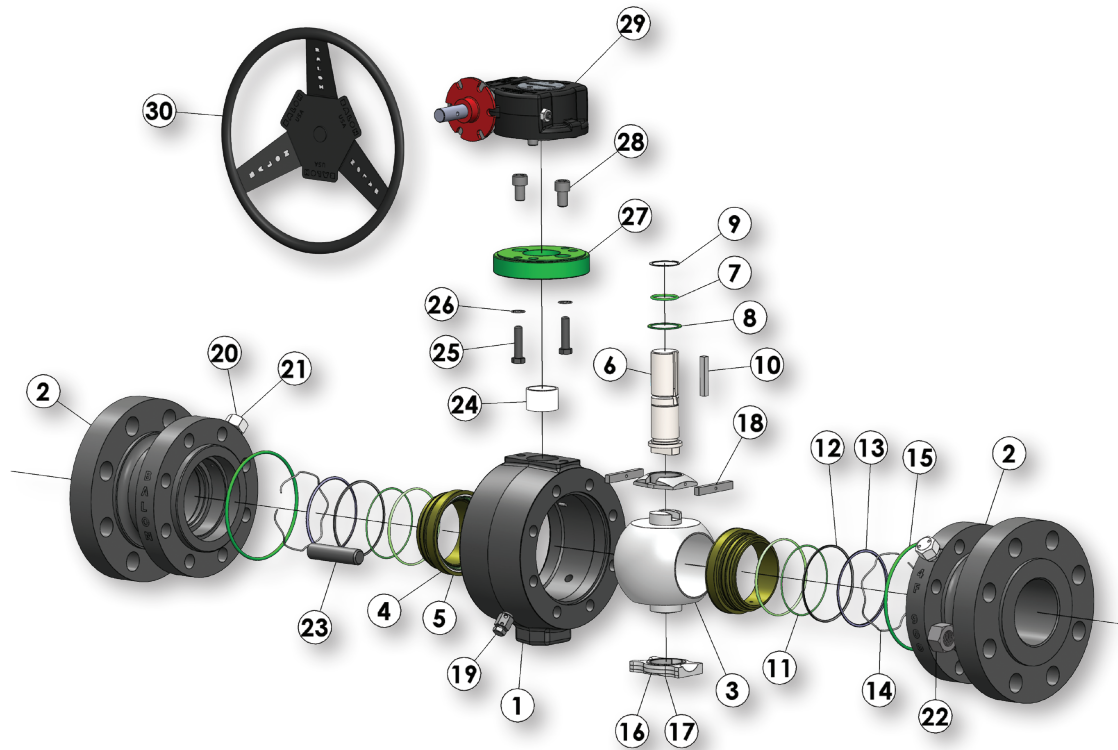
### Dimensional Data

SIZE	CATALOG NUMBER			PORT	A	B	C	D	E	F	G	LBS.
	STANDARD TRIM CARBON STEEL BALL & STEM	NACE TRIM CARBON STEEL BALL & STEM	NACE TRIM 316 SS BALL & STEM		RF	RF						
4x4x4	4F-T93	4F-T93CN*	4F-T93SN*	4	18	9	3.04	8.06	14	8.75	9.68	331

\* NACE Valves are also available in low temp at -50° to 250°F. Call factory for details.

# Series T Trunnion Valves ANSI Class 900

## Series T Carbon Steel



### Material Description

ITEM	PART NAME	STANDARD TRIM	CARBON STEEL NACE	STAINLESS STEEL NACE
1	Body	ASTM A105, Normalized	ASTM A105, Normalized	ASTM A105, Normalized
2	Adapter	ASTM A105, Normalized	ASTM A105, Normalized	ASTM A105, Normalized
3	Ball	Carbon Steel Nickel Chrome Plated	Carbon Steel Nickel Chrome Plated	316 Stainless Steel
4	Seat Carrier	Carbon Steel Nickel Chrome Plated	Carbon Steel Nickel Chrome Plated	316 Stainless Steel
5	Seat Insert	Nylon 11/Acetal	Nylon 11/Acetal	Nylon 11/Acetal
6	Stem	Carbon Steel	Carbon Steel	17- 4 Stainless Steel
7	Stem O-Ring	Buna-N	Fluorocarbon	Fluorocarbon
8	Stem Thrust Washer	TFE	TFE	TFE
9	Snap Ring	Carbon Spring Steel	Carbon Spring Steel	Carbon Spring Steel
10	Stem Key	Steel Key Stock	Steel Key Stock	Steel Key Stock
11	Seat O-Ring	Buna-N	Fluorocarbon	Fluorocarbon
12	Fireseal	Graphite	Graphite	Graphite
13	Fireseal Support Ring	Stainless Steel	Stainless Steel	Stainless Steel
14	Spring	Inconel X-750	Inconel X-750	Inconel X-750
15	Body O-Ring	Buna-N	Fluorocarbon	Fluorocarbon
16	Bearing Block	Carbon Steel	Carbon Steel	Stainless Steel
17	Trunnion Bearing	316 SS/TFE	316 SS/TFE	316 SS/TFE
18	Spacer Block	Stainless Steel	Stainless Steel	Stainless Steel
19	Bleed Fitting	316 Stainless Steel	316 Stainless Steel	316 Stainless Steel
20	Sealant Injection Fitting	Alloy Steel	Alloy Steel	Alloy Steel
21	Internal Check Fitting	316 Stainless Steel	316 Stainless Steel	316 Stainless Steel
22	Nuts	ASTM A194 2H	ASTM A194 2HM	ASTM A194 2HM
23	Studs	ASTM A193 B7	ASTM A193 B7M	ASTM A193 B7M
24	Stem Bearing	Glass/TFE	Glass/TFE	Glass/TFE
25	Hexhead Capscrew	Alloy Steel	Alloy Steel	Alloy Steel
26	Lock Washer	Alloy Steel	Alloy Steel	Alloy Steel
27	Adapter Plate	Ductile Iron	Ductile Iron	Ductile Iron
28	Capscrews	Alloy Steel	Alloy Steel	Alloy Steel
29	Gear Operator	Ductile Iron	Ductile Iron	Ductile Iron
30	Handwheel	Carbon Steel	Carbon Steel	Carbon Steel