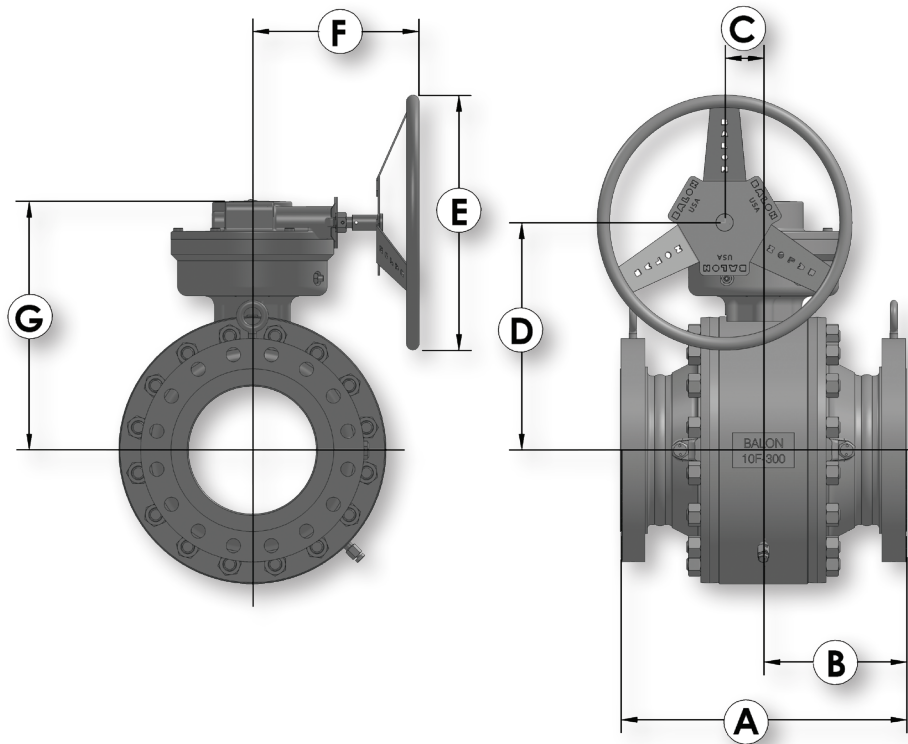


Series T Trunnion Valves ANSI Class 300

Series T Carbon Steel

- 100% Made in USA
- ANSI Class 300 (740 PSI WP)
- 8" Through 12"
- Bolted Body Construction
 - Certified Low Emission Per API 641
 - Certified Fire Safe per API 6FA
 - Exclusive Balon Gearbox (See page G-2)
 - Multi-Seal Seats (See page B-5)
 - Temperature rating of -20° to 250°F
 - Available in Low-Temp Service to -50°F



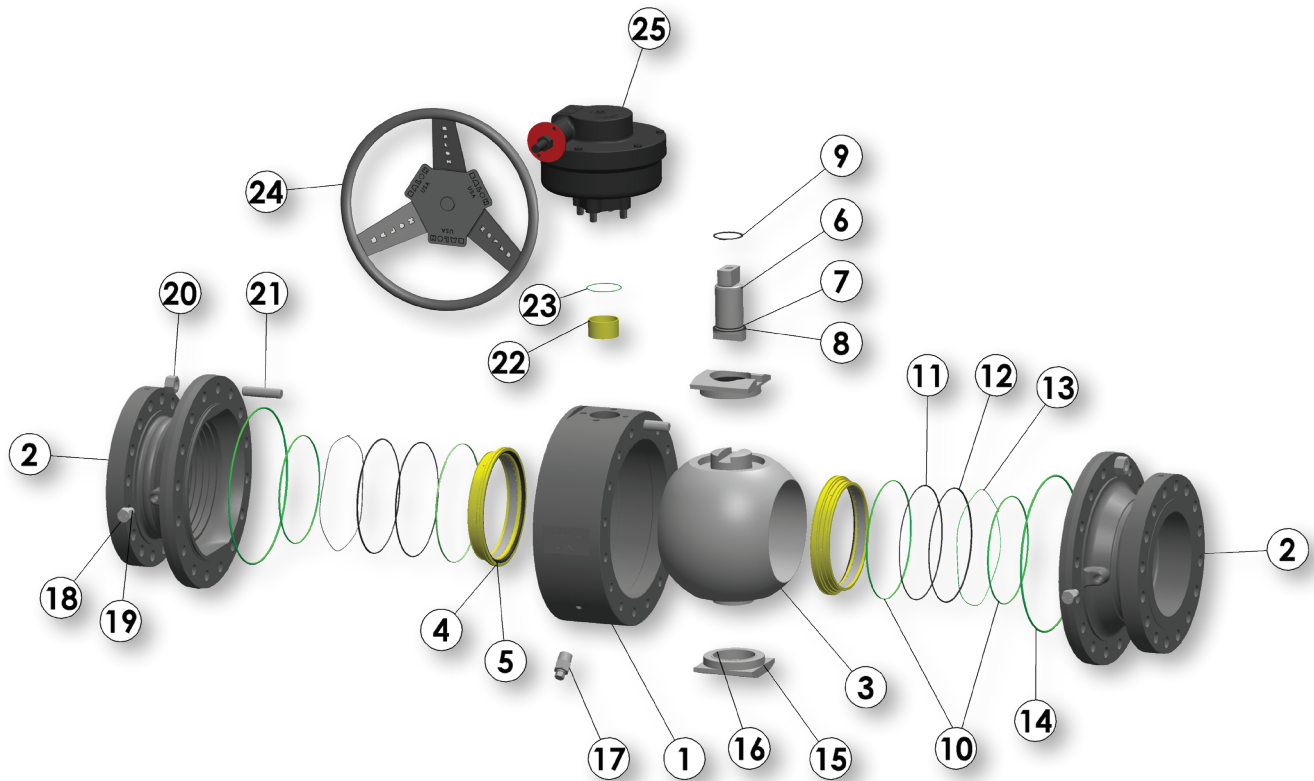
Dimensional Data

SIZE	CATALOG NUMBER			PORT	A	B	C	D	E	F	G	LBS.
	STANDARD TRIM CARBON STEEL BALL & STEM	NACE TRIM CARBON STEEL BALL & STEM*	NACE TRIM 316 SS BALL & STEM*									
8x8x8	8F-T33-RF	8F-T33CN-RF*	8F-T33SN-RF*	8	19.75	9.37	5.25	11.75	20	11.56	13.67	684
10x10x10	10F-T33-RF	10F-T33CN-RF*	10F-T33SN-RF*	10	22.38	11.20	3.04	17.83	20	13.25	19.57	1200
12x12x12	12F-T33-RF	12F-T33CN-RF*	12F-T33SN-RF*	12	25.50	12.75	3.04	18.85	20	11.85	20.60	1670

* NACE Valves are also available in low temp at -50° to 250°F. Call factory for details.

Series T Trunnion Valves ANSI Class 300

Series T Carbon Steel



Material Description

ITEM	PART NAME	STANDARD TRIM	CARBON STEEL NACE	STAINLESS STEEL NACE
1	Body *	ASTM A105, Normalized	ASTM A105, Normalized	ASTM A105, Normalized
2	Adapter	ASTM A105, Normalized	ASTM A105, Normalized	ASTM A105, Normalized
3	Ball	Carbon Steel Nickel Chrome Plated	Carbon Steel Nickel Chrome Plated	316 Stainless Steel
4	Seat Carrier	Carbon Steel Nickel Chrome Plated	Carbon Steel Nickel Chrome Plated	316 Stainless Steel
5	Seat Insert	Nylon 11/Acetal	Nylon 11/Acetal	Nylon 11/Acetal
6	Stem	Carbon Steel	Carbon Steel	316 Stainless Steel
7	Stem O-Ring	Buna-N	Fluorocarbon	Fluorocarbon
8	Stem Thrust Washer	TFE	TFE	TFE
9	Snap Ring	Carbon Spring Steel	Carbon Spring Steel	Carbon Spring Steel
10	Seat O-Ring	Buna-N	Fluorocarbon	Fluorocarbon
11	Fireseal	Graphite	Graphite	Graphite
12	Fireseal Support Ring	Stainless Steel	Stainless Steel	Stainless Steel
13	Spring	Inconel X-750	Inconel X-750	Inconel X-750
14	Body O-Ring	Buna-N	Fluorocarbon	Fluorocarbon
15	Bearing Block	Carbon Steel	Carbon Steel	Stainless Steel
16	Trunnion Bearing	316 SS/TFE	316 SS/TFE	316 SS/TFE
17	Bleed Fitting	316 Stainless Steel	316 Stainless Steel	316 Stainless Steel
18	Sealant Injection Fitting	Alloy Steel	Alloy Steel	Alloy Steel
19	Internal Check Fitting	316 Stainless Steel	316 Stainless Steel	316 Stainless Steel
20	Nuts	ASTM A194 2H	ASTM A194 2HM	ASTM A194 2HM
21	Studs	ASTM A193 B7	ASTM A193 B7M	ASTM A193 B7M
22	Stem Bearing	Glass/TFE	Glass/TFE	Glass/TFE
23	Gear Operator O-Ring	Buna-N	Fluorocarbon	Fluorocarbon
24	Handwheel	Carbon Steel	Carbon Steel	Carbon Steel
25	Gear Operator	Ductile Iron	Ductile Iron	Ductile Iron

* 8" body is ASTM A216 WCB